

Acet 22220 (2 Wire) **NEW 2011 VERSION**

(AC BUZZER HAS BEEN REPLACED WITH ELECTRONIC CALL TONES)



Terminals

- 1 & 2 Volt Free Button
- 3 Local Buzzer (For floor call, jumper needs to be moved to 2ch)
- 5 Common
- 6 Input From Panel
- 7

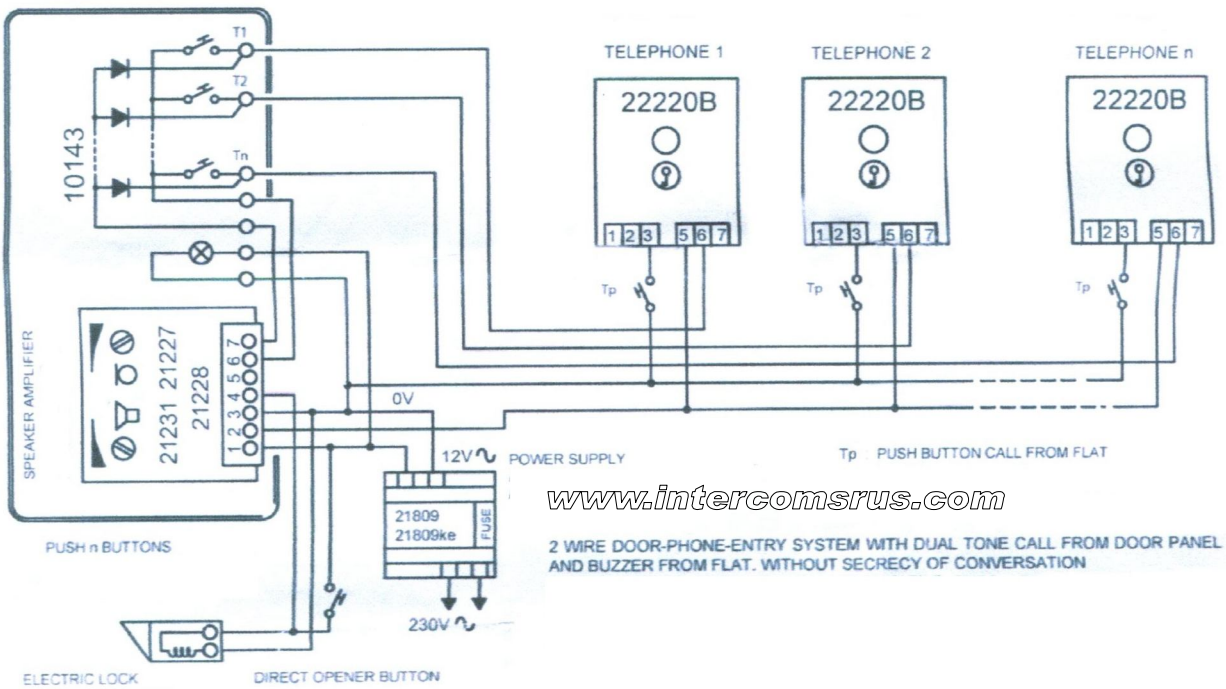
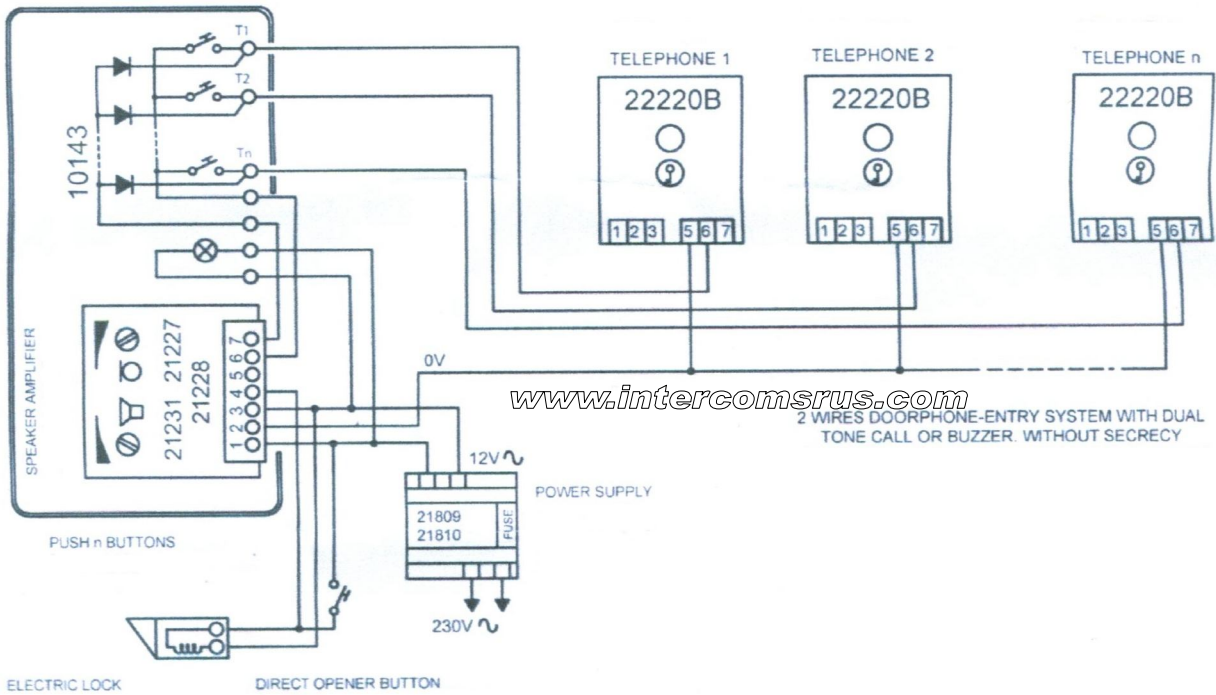
Note : There are 2 versions of this handset, they look exactly the same externally. NEW VERSION (2011) Mechanical buzzer is replaced by electronic call, wiring exactly the same as before.

IMPORTANT NOTE :

- 1) Before replacing the handset make note of the wires to each terminal on the existing unit (an easy way is to cut each core off leaving a piece of the insulation in place with colour visible) twist unused cores together (so you know they are not used, do not short them out).
- 2) Some older systems will have cable with one coloured core and a solid white core in this case mark each core with a marker or tape.
- 3) Some systems may have loop on wiring, you will have 2 cables into your handset (make sure any joins remain, as these may be serving other flats on the system).

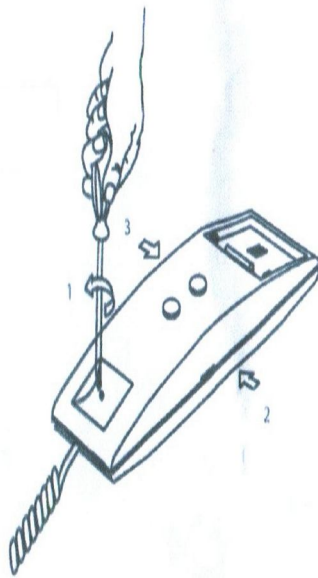
WIRING DIAGRAM

Acet 22220 (2 Wire)

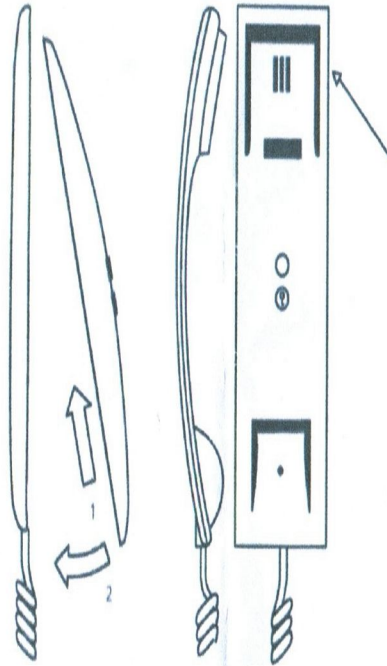


Instructions

A OPEN THE BASE

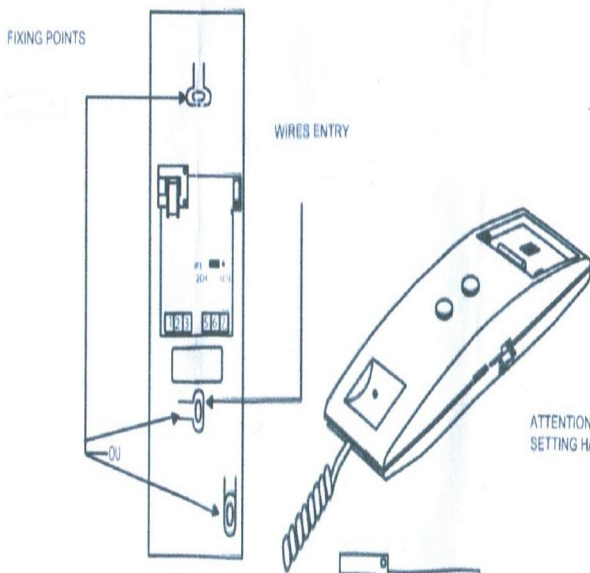


C CLOSING THE BASE



LAY HERE AND PRESS FOR CLOSING
 APPUYEZ ICI POUR FERMER
 APPOGGIARE QUI E PREMERE
 PER CHIUDERE

B FIXING AND CONNECTION



JUMPS SETTING



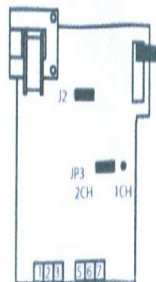
- HIGH VOLUME DUAL TONE CALL
- MEDIUM VOLUME DUAL TONE CALL
- LOW VOLUME DUAL TONE CALL

ATTENTION: WITH BUZZER TONE SPEAKER AMPLIFIER, THE VOLUME SETTING HAS TO BE PLACE ON MAX VOLUME



TERMINAL BOARD

- 1 - 2 : FREE SERVICE BUTTON
- 3 : CALL AT THE FLAT
- 5 : GROUND
- 6 : CALL AUDIO AND DOOR OPENER

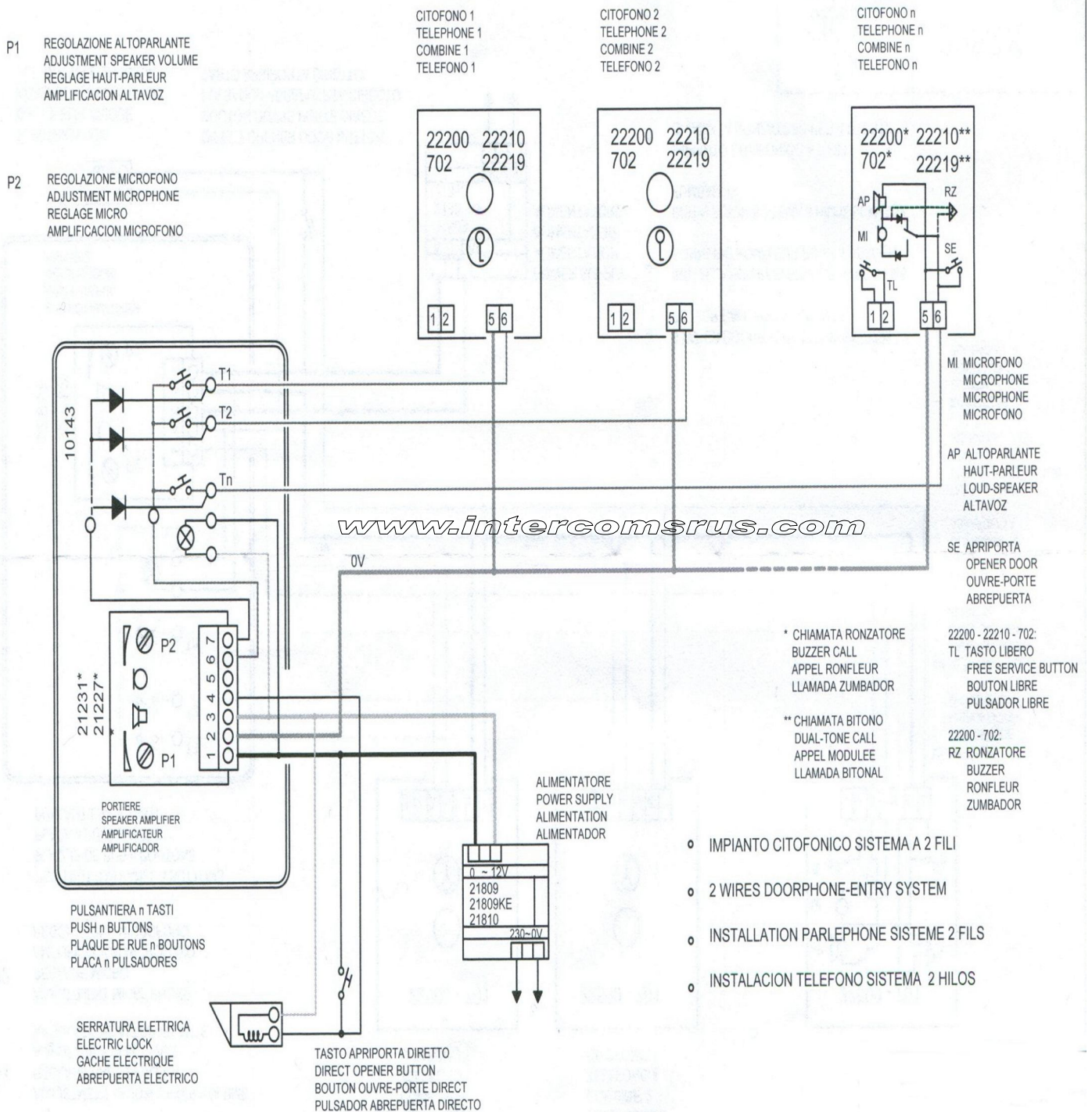


JP3 2CH ● 1CH INSTALLATION WITH BUZZER CALL SPEAKER

JP3 2CH ■ 1CH INSTALLATION WITH DUAL TONE CALL AND BUZZER AT THE FLAT

WIRING DIAGRAM

Acet 22200 (2 Wire)



- IMPIANTO CITOFONICO SISTEMA A 2 FILI
- 2 WIRES DOORPHONE-ENTRY SYSTEM
- INSTALLATION PARLEPHONE SYSTEME 2 FILS
- INSTALACION TELEFONO SISTEMA 2 HILOS