

Aiphone VC-K



Terminals

- 1 Speech Out (Mic)
- 2 Speech In (Speaker)
- 3 Ground
- 4 Door Release
- B Call Tone

IMPORTANT NOTE :

1) Before replacing the handset make note of the wires to each terminal on the existing unit (an easy way is to cut each core off leaving a piece of the insulation in place with colour visible) twist unused cores together (so you know they are not used, do not short them out).

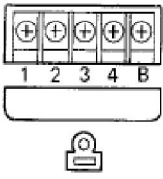
2) Some older systems will have cable with one coloured core and a solid white core in this case mark each core with a marker or tape.

3) Some systems may have loop on wiring, you will have 2 cables into your handset (make sure any joins remain, as these may be serving other flats on the system).

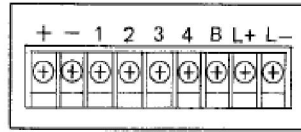
WIRING DIAGRAM

www.intercomsrus.com

(1) ACTUAL TERMINAL LOCATION



VC-K INSIDE VIEW

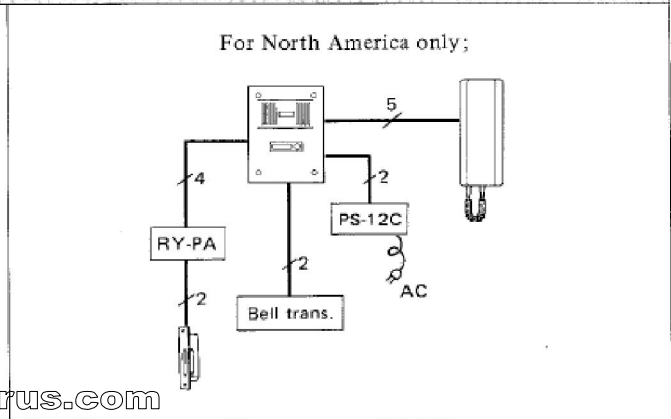
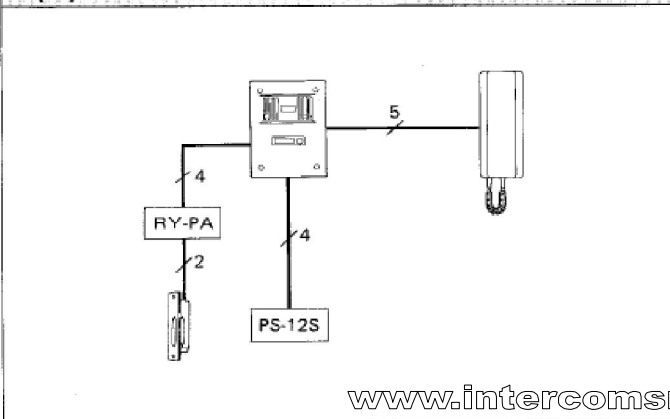


VC-M PANEL BACK VIEW

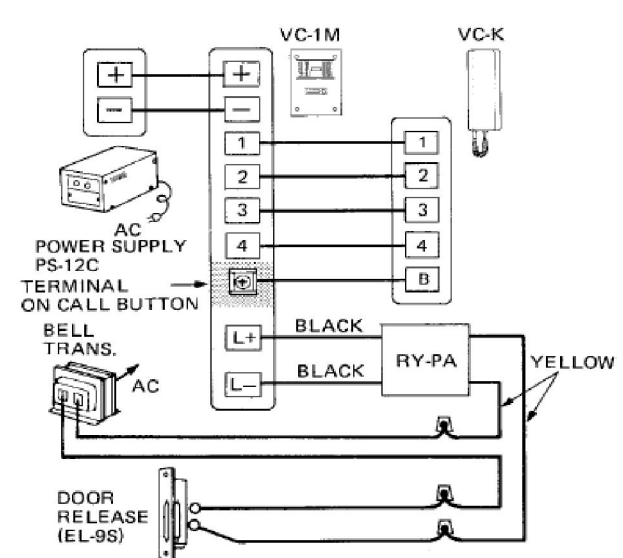
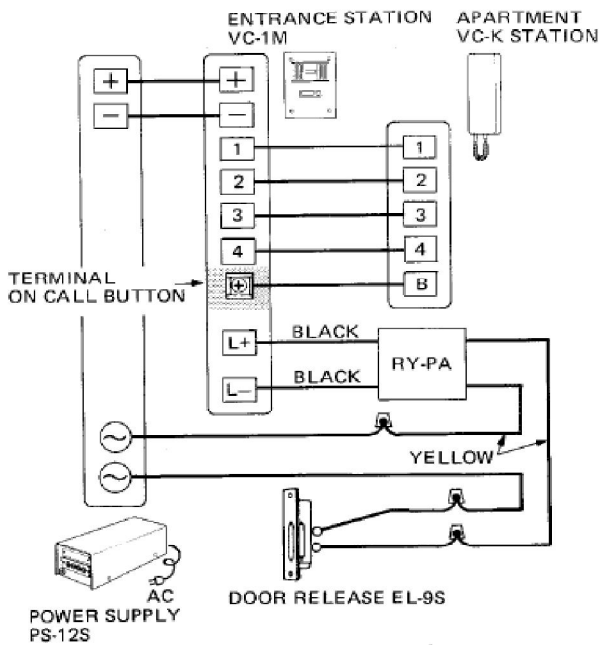
- 1 : for communication (VC-K to entrance station)
- 2 : for communication (Entrance station to VC-K)
- 3 : for grounding
- 4 : for door release
- B : for call signal
- + , - : for power supply (DC 12V)
- L+ , L- : for RY-PA or DC 12V door release.

www.intercomsrus.com

(1) WHEN USING AC-OPERATED DOOR RELEASE;

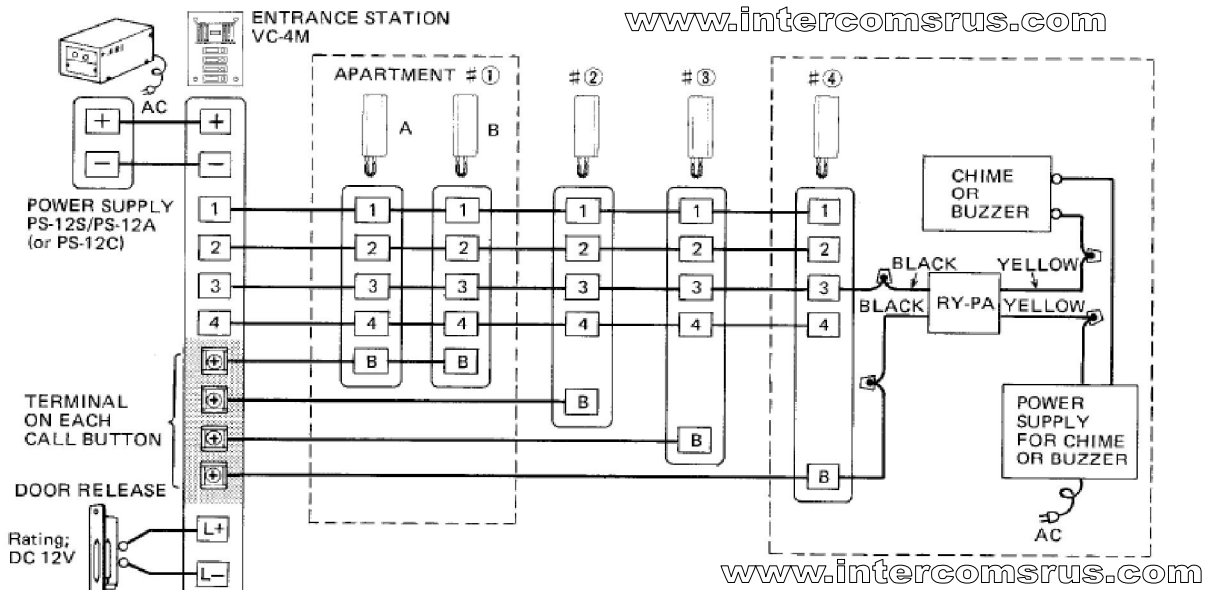
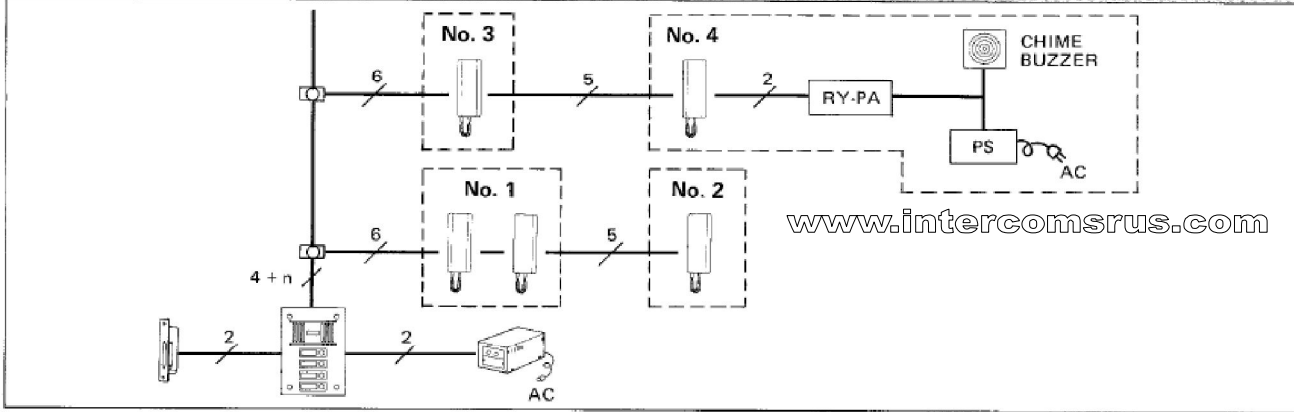


www.intercomsrus.com



www.intercomsrus.com

(2) BASIC SYSTEM WITH DC-OPERATED DOOR RELEASE;



- NOTES; ① In APARTMENT # ① , two room stations can be signalled by tone simultaneously, when called by entrance station. Calling is not available between room stations A and B.
 ② DC-operated door release can be connected to **L+** , **L-** terminals directly.
 ③ For call extension, use either chime or buzzer locally available, rated less than DC 24V, 2.5A.