

# Bell System (BSTL) 500 Series



## Terminals

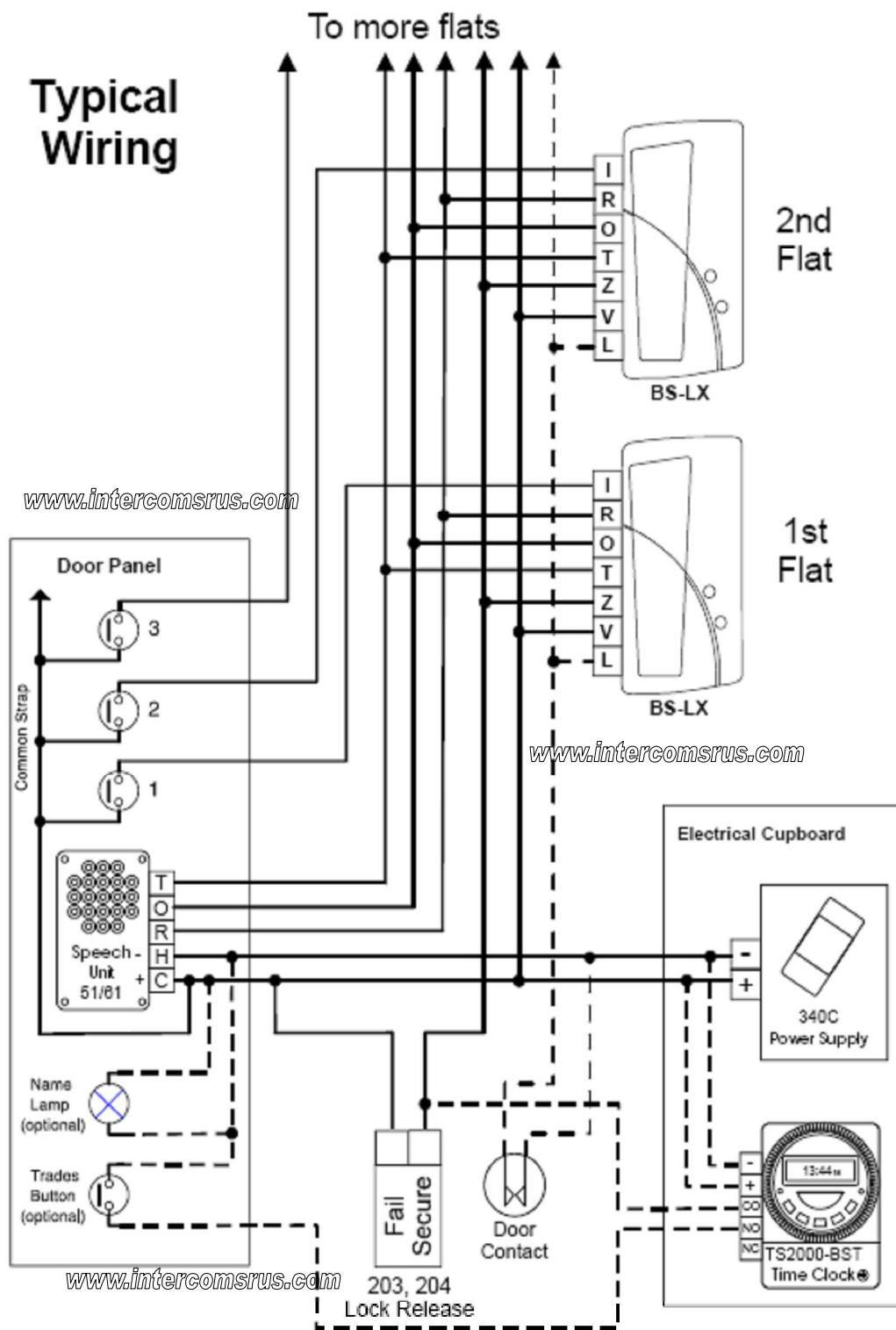
- I Call
- R Speech Out (Mic)
- O Common
- T Speech In (Speaker)
- Z Lock
- V + 12VDC
- L Door Contact

### IMPORTANT NOTE :

- 1) Before replacing the handset make note of the wires to each terminal on the existing unit (an easy way is to cut each core off leaving a piece of the insulation in place with colour visible) twist unused cores together (so you know they are not used, do not short them out).
- 2) Some older systems will have cable with one coloured core and a solid white core in this case mark each core with a marker or tape.
- 3) Some systems may have loop on wiring, you will have 2 cables into your handset (make sure any joins remain, as these may be serving other flats on the system).

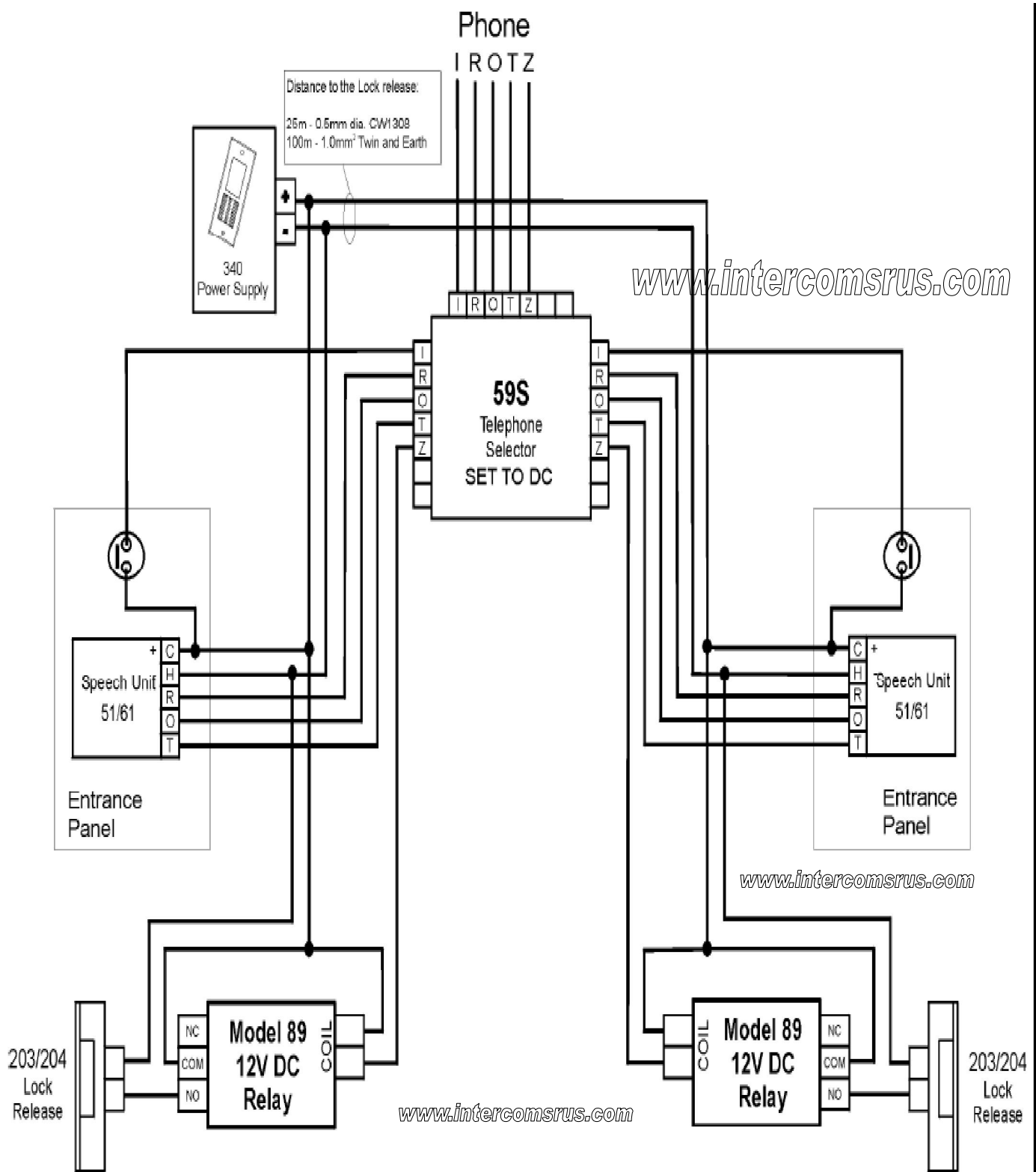
# Wiring Diagram

## Single Entrance DC Call



# Wiring Diagram

## 2 Entrance DC call with 59S Switcher



# Wiring Diagram

## 2 Entrance System DC Call (M719S Switcher)

DIAGRAM 2: WIRING DIAGRAM FOR 2-DOOR ENTRYPHONE SYSTEM

