

# Bell System (BSTL) 801 PS (Privacy) New Style



## Terminals

- I Call
- R Speech Out (Mic)
- O Common
- T Speech In (Speaker)
- Z Lock

**Note : Model shown is an 801PS with PRIVACY Function, handset is only live when called.**

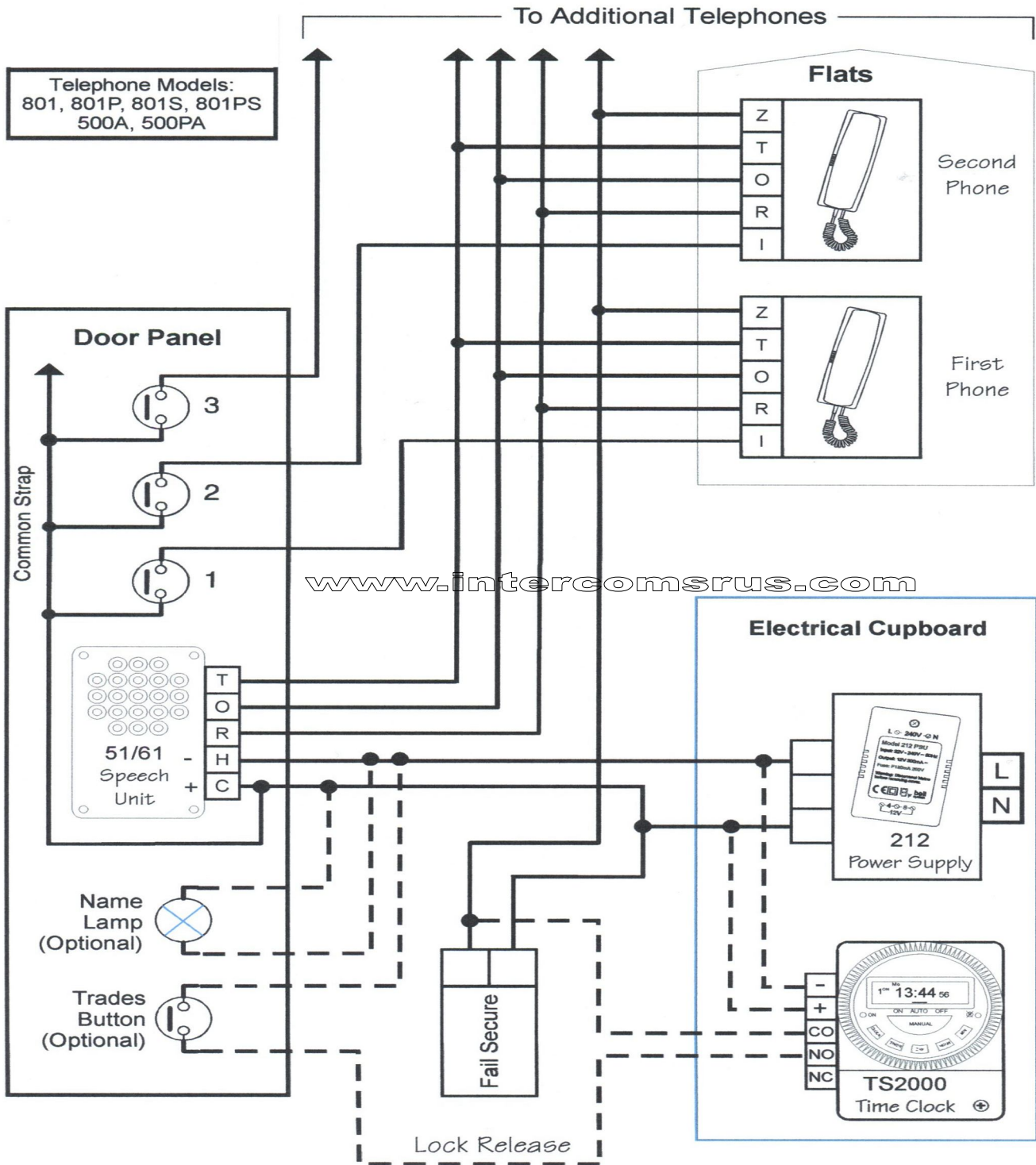
### **IMPORTANT NOTE :**

- 1) Before replacing the handset make note of the wires to each terminal on the existing unit (an easy way is to cut each core off leaving a piece of the insulation in place with colour visible) twist unused cores together (so you know they are not used, do not short them out).
- 2) Some older systems will have cable with one coloured core and a solid white core in this case mark each core with a marker or tape.
- 3) Some systems may have loop on wiring, you will have 2 cables into your handset (make sure any joins remain, as these may be serving other flats on the system).

# Wiring Diagram

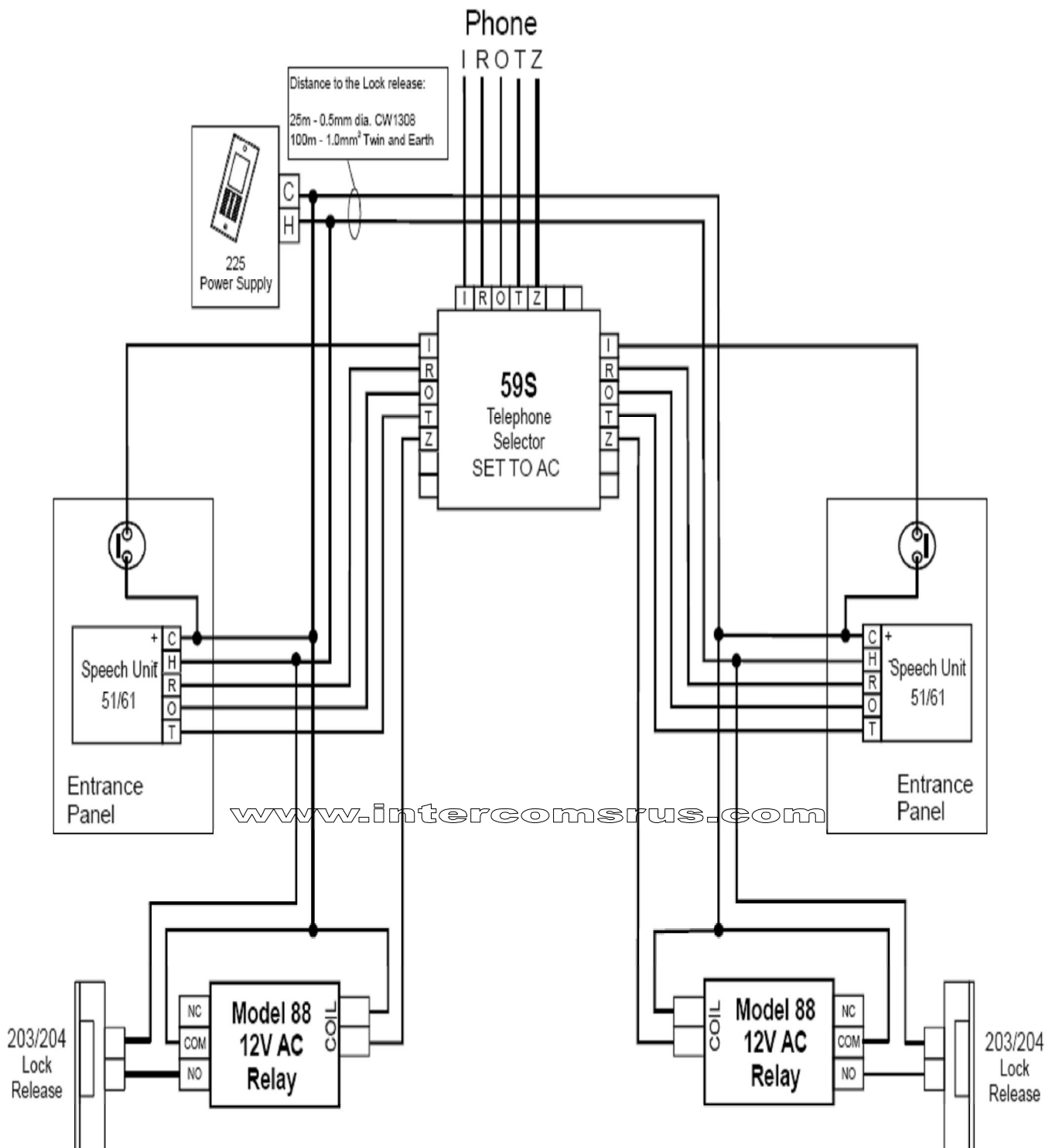
## Bell 801 Handsets 1 way 5 wire Audio

Wiring Diagram for AC Door Entry Systems upto 10 Telephones



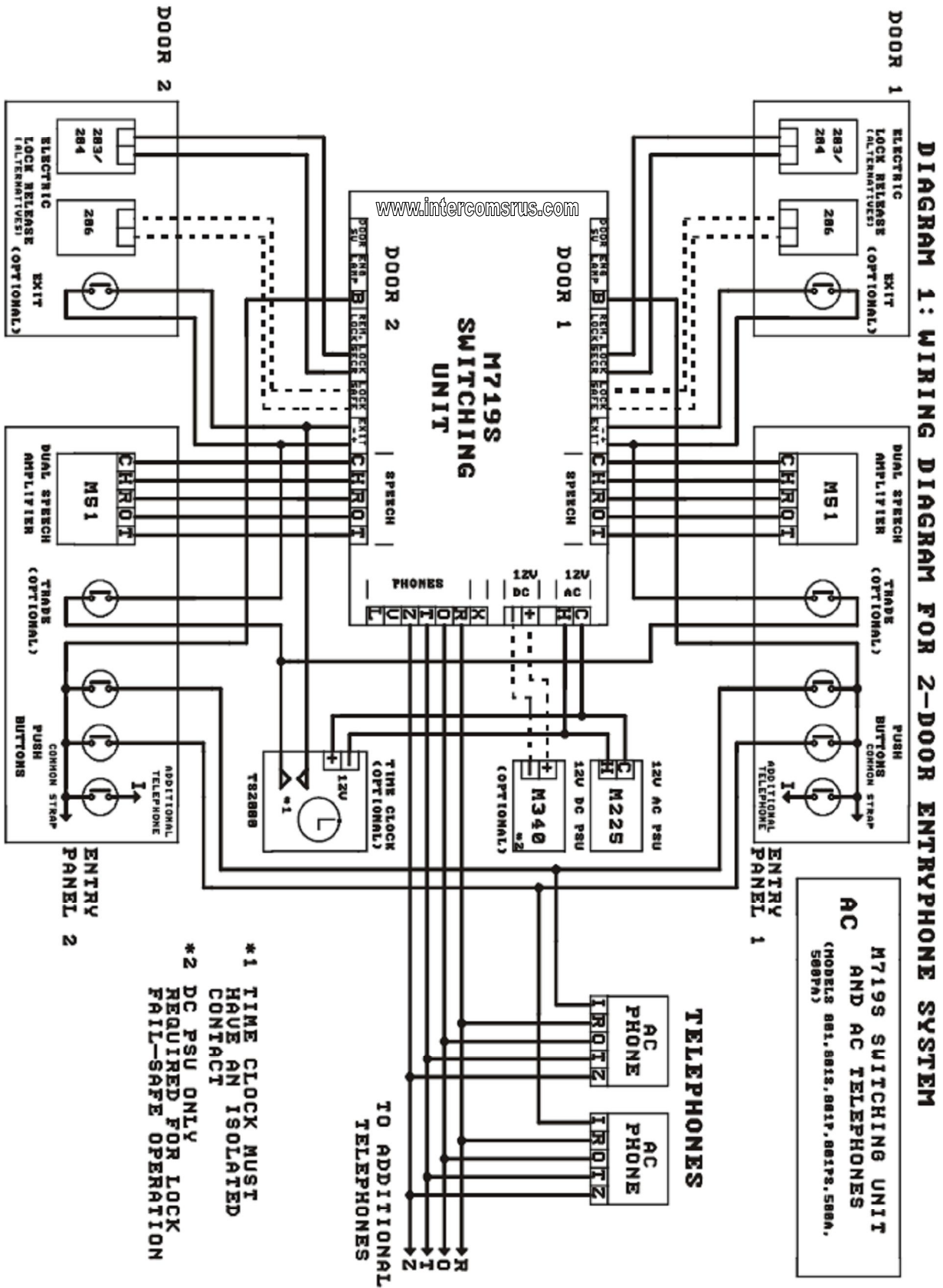
# Wiring Diagram

## 2 Entrance AC Call with 59S switcher



# Wiring Diagram

## 2 Entrance with AC Call and 719S Switcher



# Wiring Diagram

## 2 Entrances AC call with RO9 Switcher

