

Bell System (BSTL) 801 Old Style



Terminals

- I Call
- R Speech Out (Mic)
- O Common
- T Speech In (Speaker)
- Z Lock

IMPORTANT NOTE :

1) Before replacing the handset make note of the wires to each terminal on the existing unit (an easy way is to cut each core off leaving a piece of the insulation in place with colour visible) twist unused cores together (so you know they are not used, do not short them out).

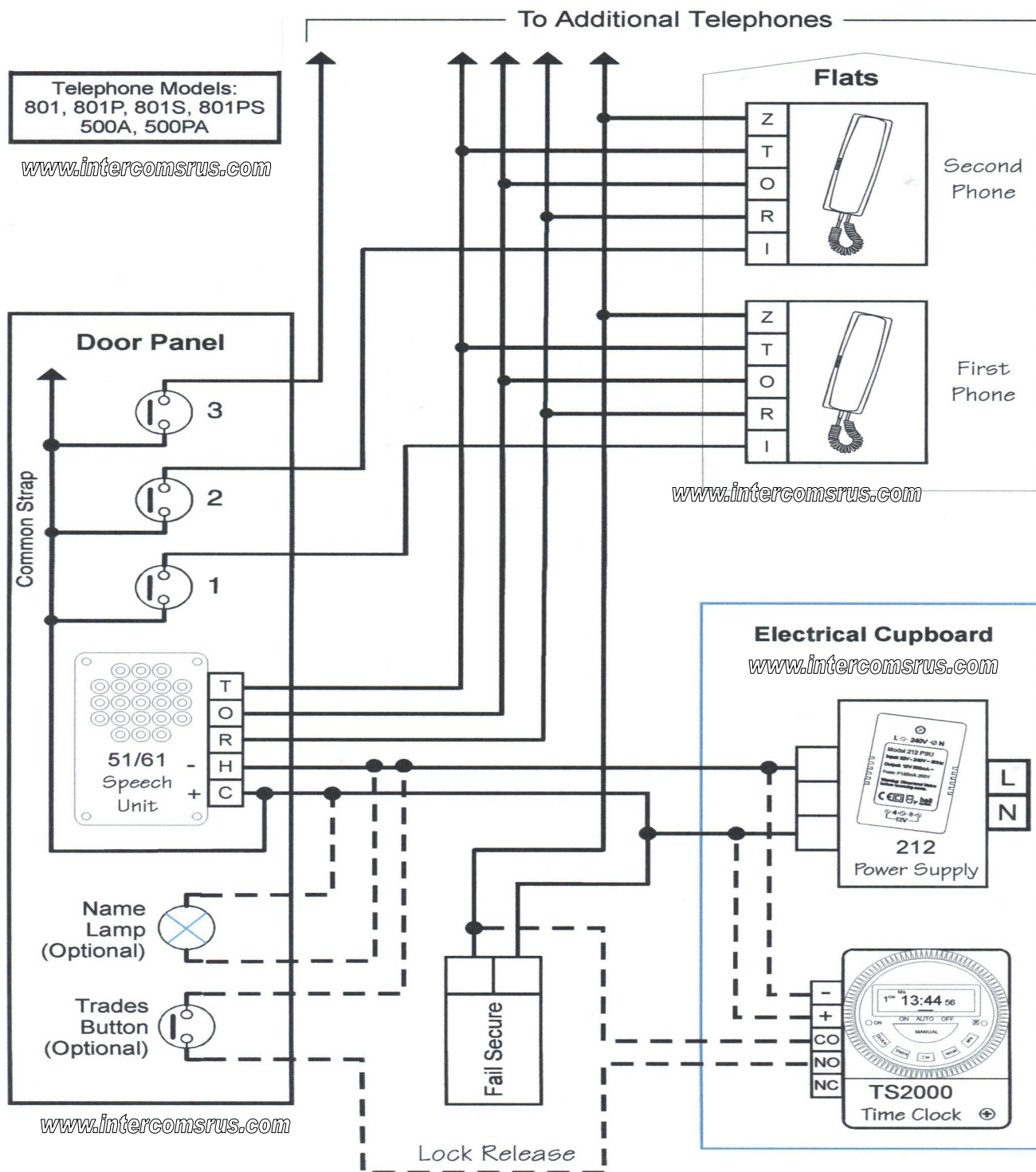
2) Some older systems will have cable with one coloured core and a solid white core in this case mark each core with a marker or tape.

3) Some systems may have loop on wiring, you will have 2 cables into your handset (make sure any joins remain, as these may be serving other flats on the system).

Wiring Diagram

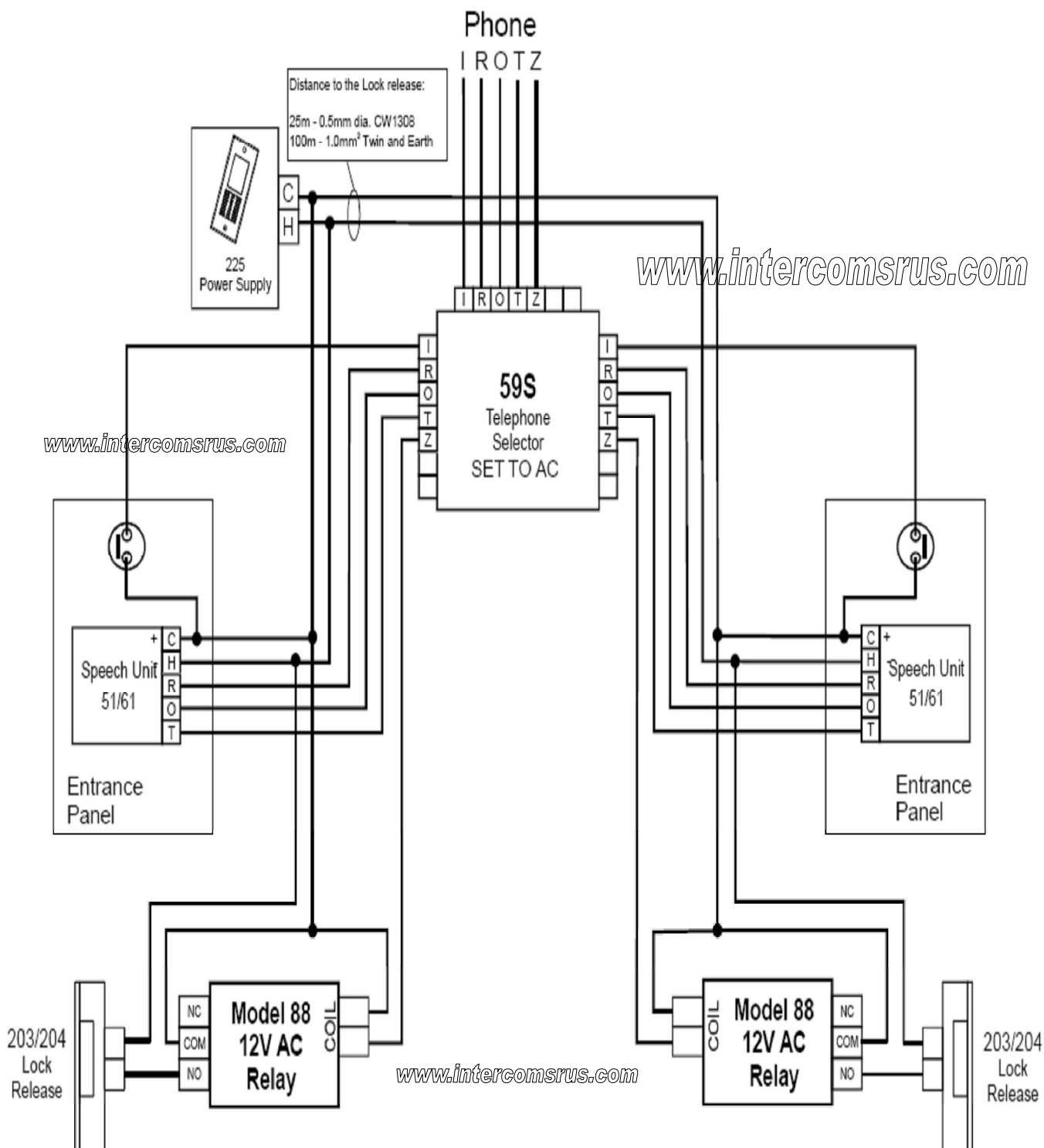
Bell 801 Handsets 1 way 5 wire Audio

Wiring Diagram for AC Door Entry Systems upto 10 Telephones



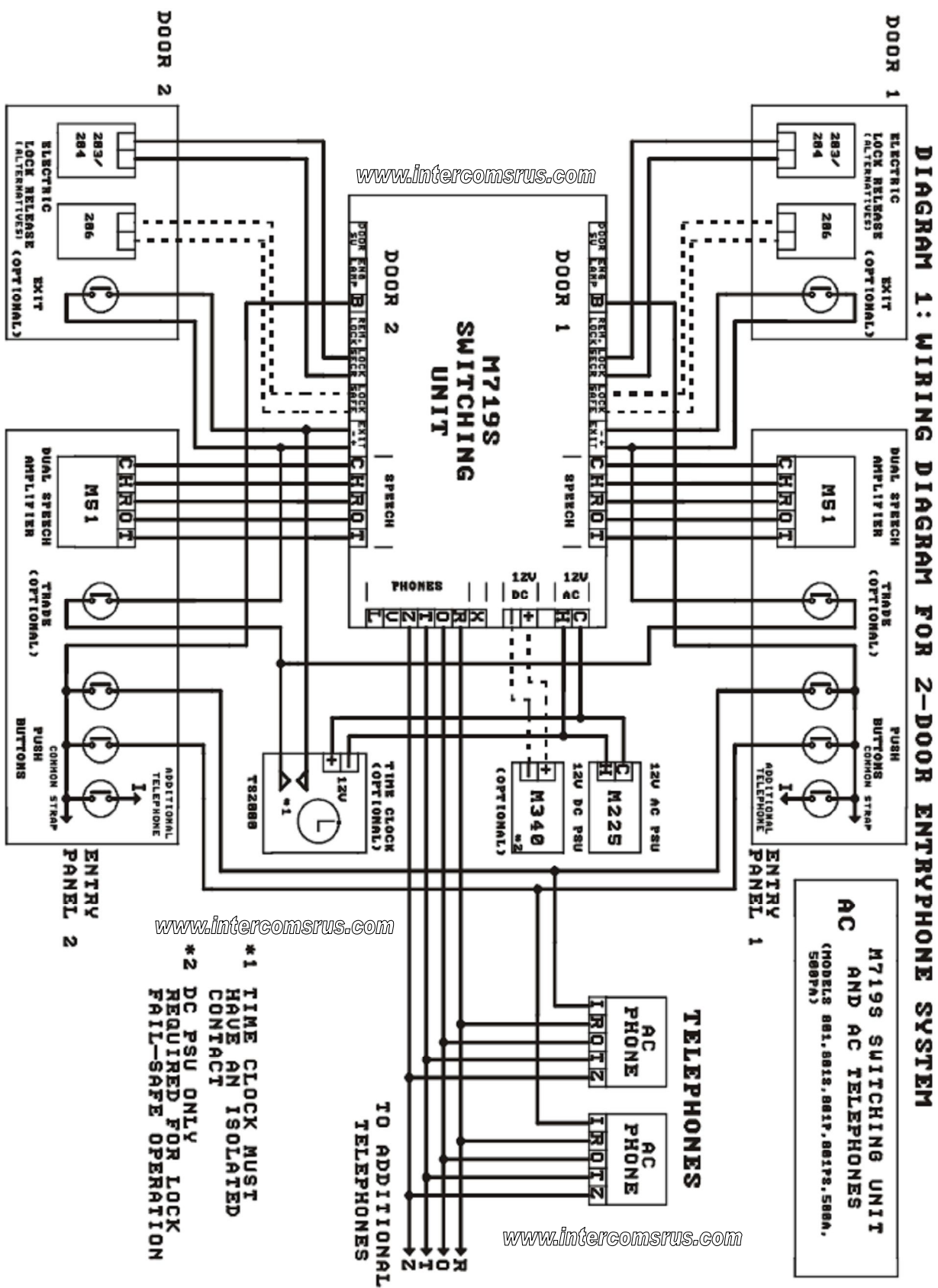
Wiring Diagram

2 Entrance AC Call with 59S switcher



Wiring Diagram

2 Entrance with AC Call and 719S Switcher



Wiring Diagram

2 Entrances AC call with RO9 Switcher

www.intercomsrus.com

