

# Bell System (BSTL) BS-LX



## Terminals

- I Call
- R Speech Out (Mic)
- O Common
- T Speech In (Speaker)
- Z Lock
- V + 12VDC
- L Door Contact

### **IMPORTANT NOTE :**

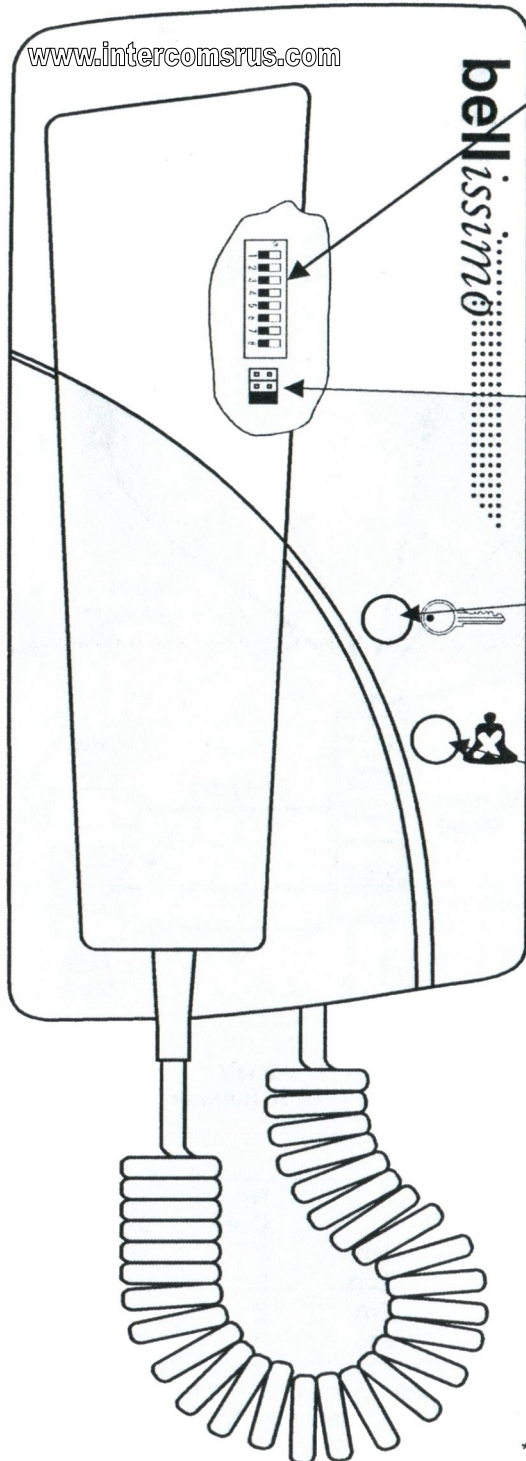
- 1) Before replacing the handset make note of the wires to each terminal on the existing unit (an easy way is to cut each core off leaving a piece of the insulation in place with colour visible) twist unused cores together (so you know they are not used, do not short them out).
- 2) Some older systems will have cable with one coloured core and a solid white core in this case mark each core with a marker or tape.
- 3) Some systems may have loop on wiring, you will have 2 cables into your handset (make sure any joins remain, as these may be serving other flats on the system).

# Setting Handset Up

## BS-LX 12V DC Audio Phone

### DIP Switch Settings

Ring Type(1)		Ringer Mute Times(5,6,7,8)			
Min. Period	Short	No Mute	1 hour	2 hour	4 hour
		2 mins	5 mins	10 mins	15 mins
<b>Door Monitor(2)</b>		20 mins	30 mins	45 mins	Toggle
N/C	N/O	1S	3S	5S	10S



www.intercomsrus.com

Ring Volume (3 Levels)

Unlock button  
and Door Status Indicator  
(green)

www.intercomsrus.com

Buzzer Mute button  
and Ring Status Indicator  
(red)

**Compatible with\***  
500X, 500PX, 500XT,  
500LX, 500PLX, 500PLXT  
Phones

www.intercomsrus.com

**bell**  
system

\*Assumes recommended cable  
type and distances.

PD-123 Issue 1

# Typical Cabling Overview

## Daisychain Cabling Option

Note : Only recommended for systems up to 4 phones

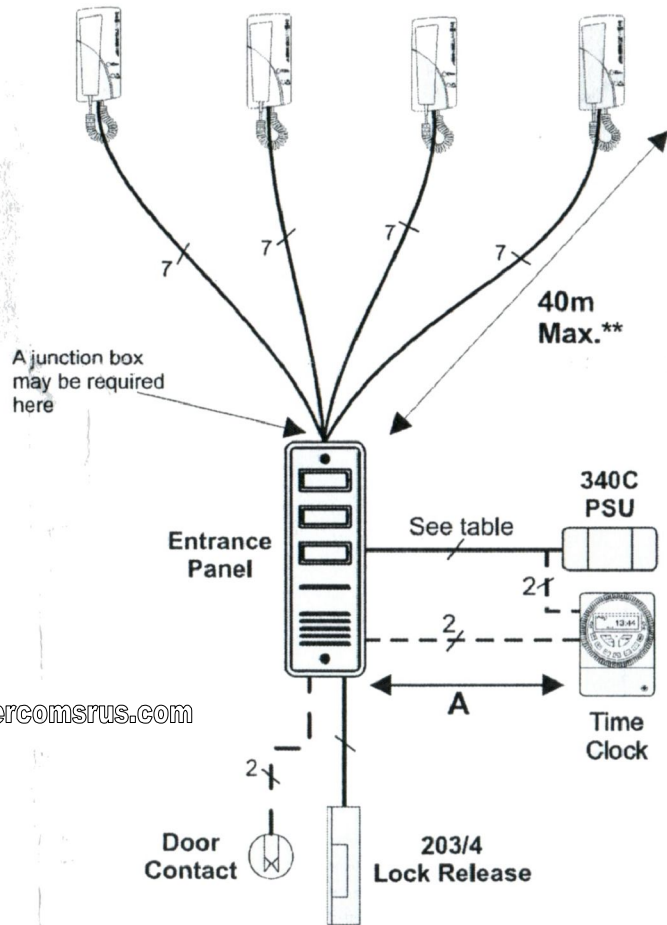
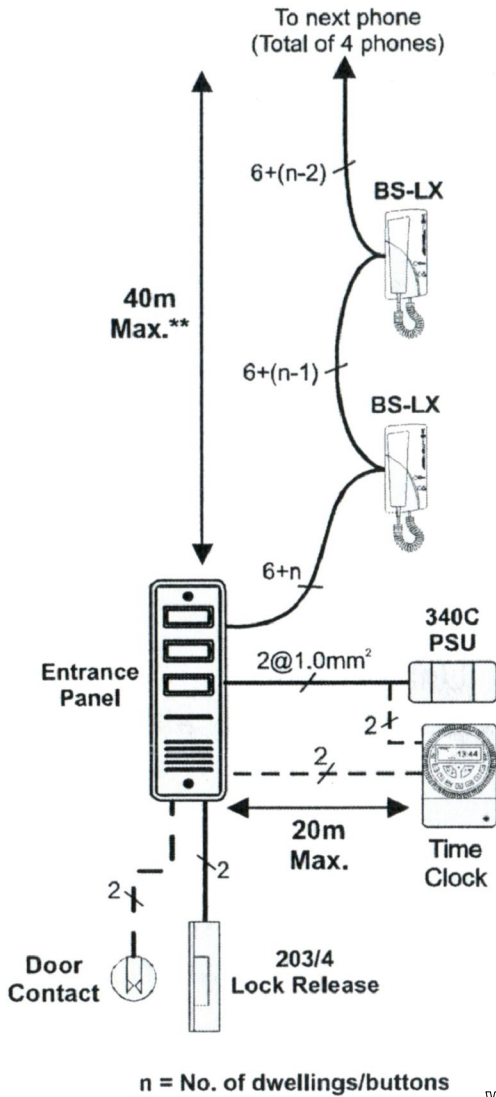
www.intercomsrus.com

### BS-LX Specification

Operating Voltage	8V DC - 15V DC
Idle Current (Max)	26mA
Max. Current (Ringing)	140mA
Max. Lock Current	1A

www.intercomsrus.com

## Star Cabling Option



www.intercomsrus.com

### Note

0.5mm - 0.5mm diameter twisted-pair cable, e.g. CW1308 or CAT5/5e UTP.

1.0mm<sup>2</sup> - 1.0mm<sup>2</sup> Twin Flex or Twin and Earth

No. of Phones (Max)	A	No. of Cores	Cable Size
1	5m	2	0.5mm
1	20m	2	1.0mm <sup>2</sup>
20	5m	2	1.0mm <sup>2</sup>
21-40***	5m	2	1.0mm <sup>2</sup>

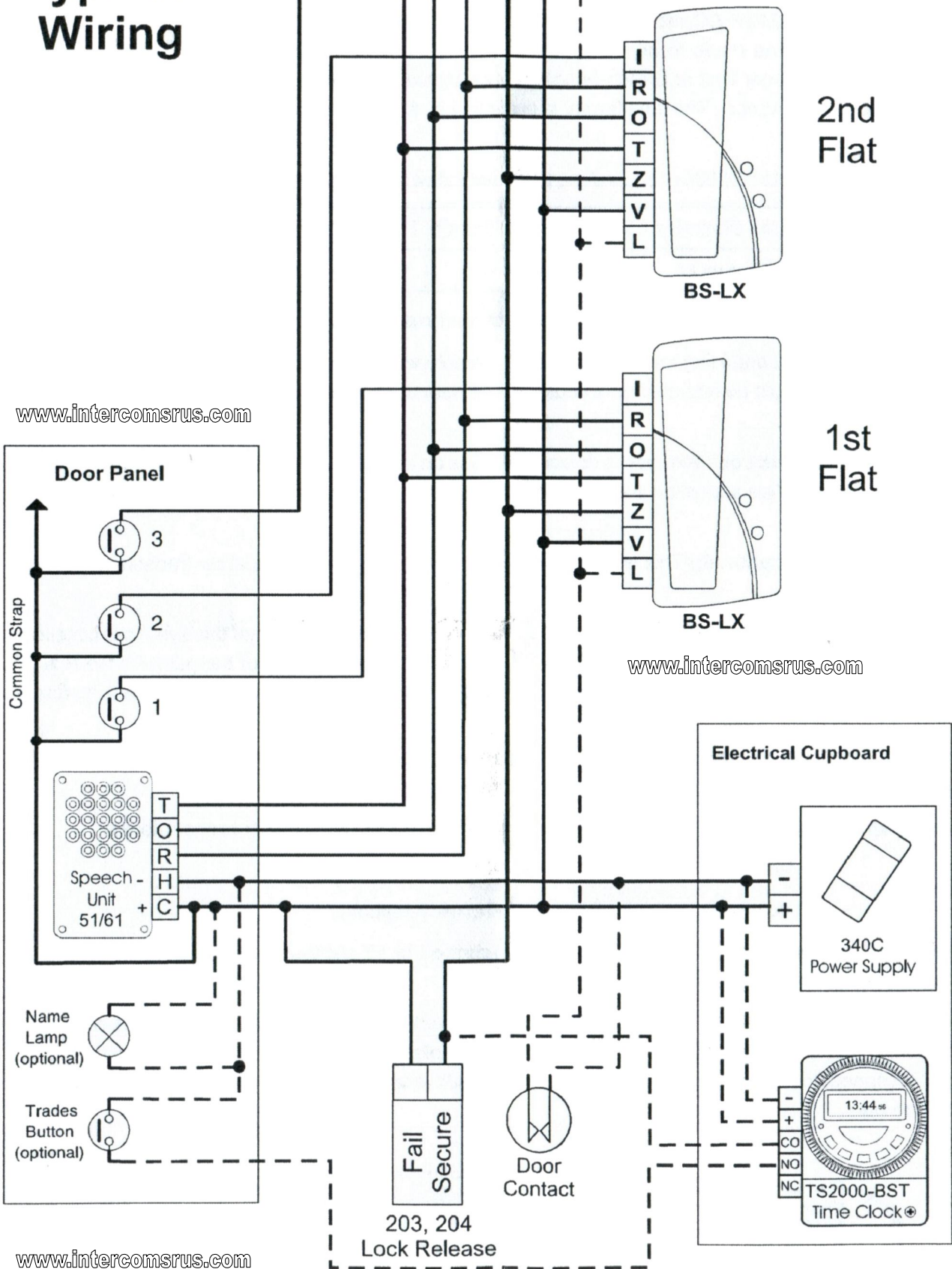
\*\* For 80m double up on all cores (14 per phone)  
 \*\*\* Requires a PS4 power supply instead of 340C

www.intercomsrus.com



# Typical Wiring

To more flats



## Important Safety Information

The **Power Supply Unit** must be placed in a protected indoor environment such as an electrical cupboard, close to a 240V AC electrical supply and located close to the entrance panel. It must be wall-mounted onto plasterboard, wood or a similar non-conductive material.

Connections to the 240V AC mains supply must be carried out by a qualified electrician or similar competent person, and made in accordance with accepted safety practices. A two-pole switch ( as provided by a Consumer Unit or Switch-Fuse) must be included to isolate both Live and Neutral during Installation or Maintenance . The transformer is protected by fuses; always replace these with the correct type and rating.

Use only mains cable to BS6004 or equivalent, within the following specified limits:

<b>Conductor Diameter:</b>	Min. 1.0mm (0.8mm <sup>2</sup> )	Max. 2.25mm (4mm <sup>2</sup> )
<b>Cable Diameter:</b>	Min. 4.0mm	Max. 8.0mm

The **Door Entry Telephone** is designed to be wall-mounted in a convenient indoor location.

The **Entrance panel**, containing the speech unit, is available with either a surface or flush-mounting back box. Normally this would be mounted on an outside wall near the front door, and if possible in a sheltered location.

The **Model 203 Electric Lock Release** is designed for use on an inward opening door fitted with a surface night-latch type lock. This should be installed with a small amount of play on the door as operation will be impaired if too tight.

**Tradesman button (optional):** This is used in conjunction with a time-clock to allow tradesmen access during restricted hours.

**Cable requirements:** For optimum speech clarity, it is strongly recommended that this system is installed using twisted-pair telephone cable (eg type CW1308 or CAT5 UTP). Use one of the pairs for the R & O connections between the speech unit and the telephone. Avoid routing cable which would cause water/rain entering the Entrance Panel.

**Installation:** Connect all items by following the diagram overleaf. It is strongly recommended that a single telephone be connected at a time and fully tested before proceeding to the next.

**Speech adjustment:** The speech unit has two controls at the rear for adjustment of speech levels:

Volume A:                      Speech level at the Entrance Panel  
Volume B:                      Speech level at the Telephone

If feedback is experienced (a howl or whistle) turn both controls to 'off' and then slowly adjust each up in turn until a satisfactory level of speech is attained.

**Troubleshooting:** No speech/ insufficient speech: Initially establish correct operation of the Speech Unit by disconnecting all telephones and re-connecting a single telephone with a short length of cable (I R O T V only); Reconnect the telephones one at a time until the fault re-appears. Note the phone must be rung for speech to work.



Standards:  
89/336/EEC  
72/23/EEC  
BSEN50081-1  
BSEN50082-1  
BSEN60950

[www.intercomsrus.com](http://www.intercomsrus.com)

BS EN ISO 9001:2000 Certificate no. GB2000389

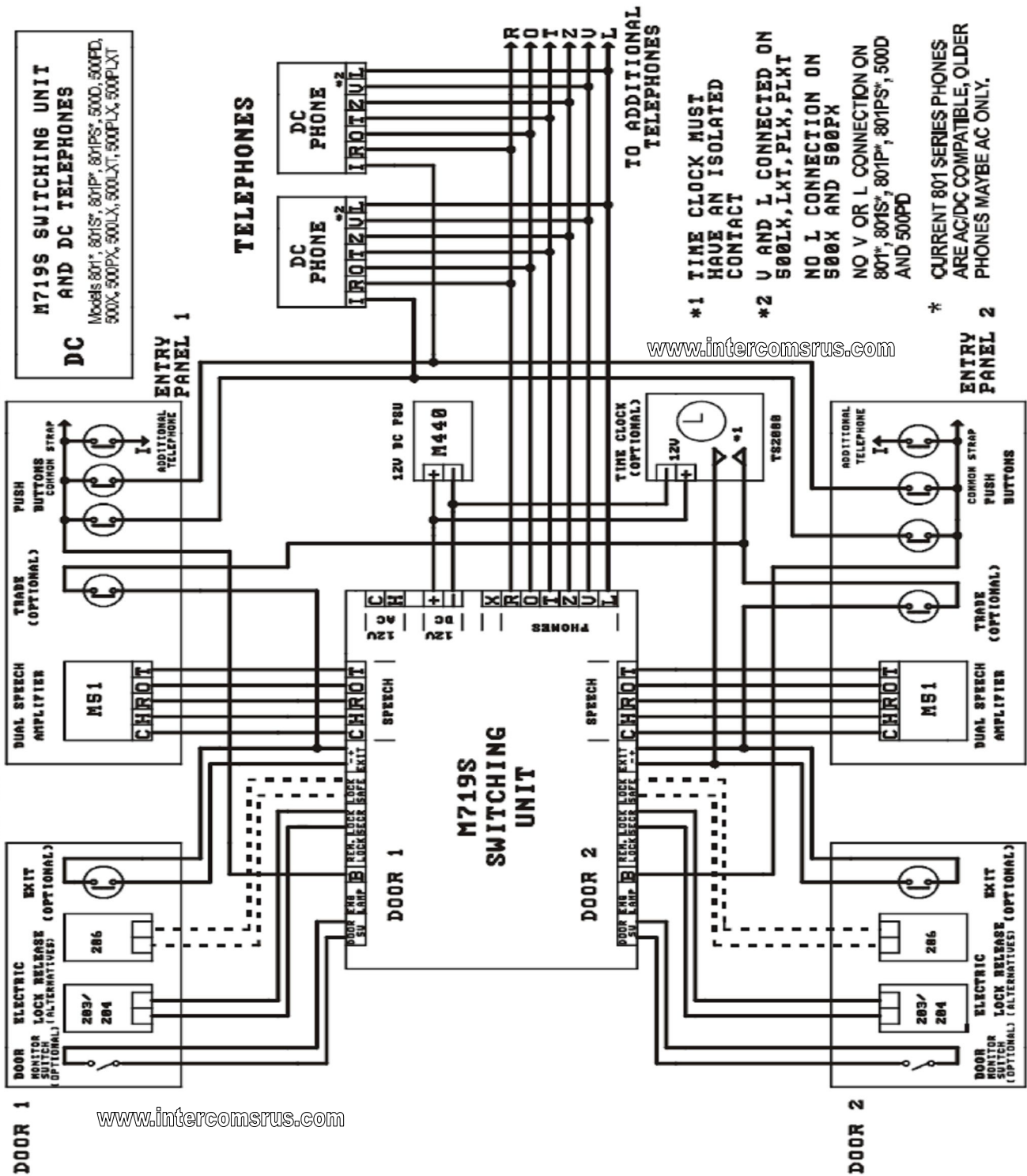
**bell**  
system  
(Telephones) Ltd



# 2 Entrance System DC Call (M719S Switcher)

www.intercomsrus.com

DIAGRAM 2: WIRING DIAGRAM FOR 2-DOOR ENTRYPHONE SYSTEM



www.intercomsrus.com

www.intercomsrus.com