

Bell System (BSTL) **XLS-BS**



Terminals

- 1 Audio
- 2 Audio
- 12vdc
- + 12vdc
- A Data
- B Data

REPLACES BS-A AUDIO HANDSET

IMPORTANT NOTE :

1) Before replacing the handset make note of the wires to each terminal on the existing unit (an easy way is to cut each core off leaving a piece of the insulation in place with colour visible) twist unused cores together (so you know they are not used, do not short them out).

2) Some older systems will have cable with one coloured core and a solid white core in this case mark each core with a marker or tape.

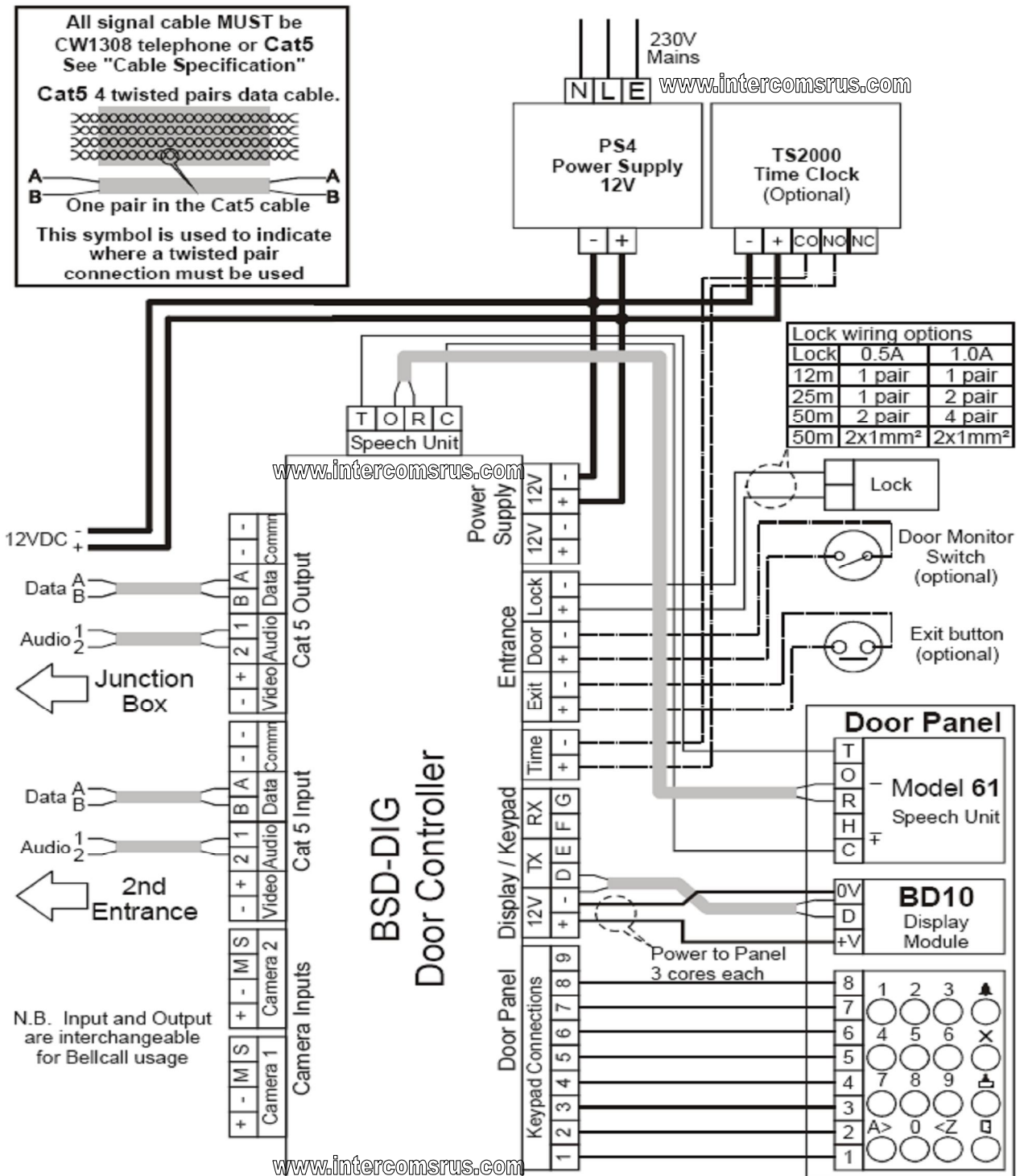
3) Some systems may have loop on wiring, you will have 2 cables into your handset (make sure any joins remain, as these may be serving other flats on the system).

Wiring Diagram

Bell BS-A (NOTE : If you have an BC801-P or BS-A-P You will need to order a **PRE-PROGRAMMED HANDSET** these units have a sticker inside handset (at top) with the handset address (ie flat 68 will be 068)

Bellcall Digital Door Entry System

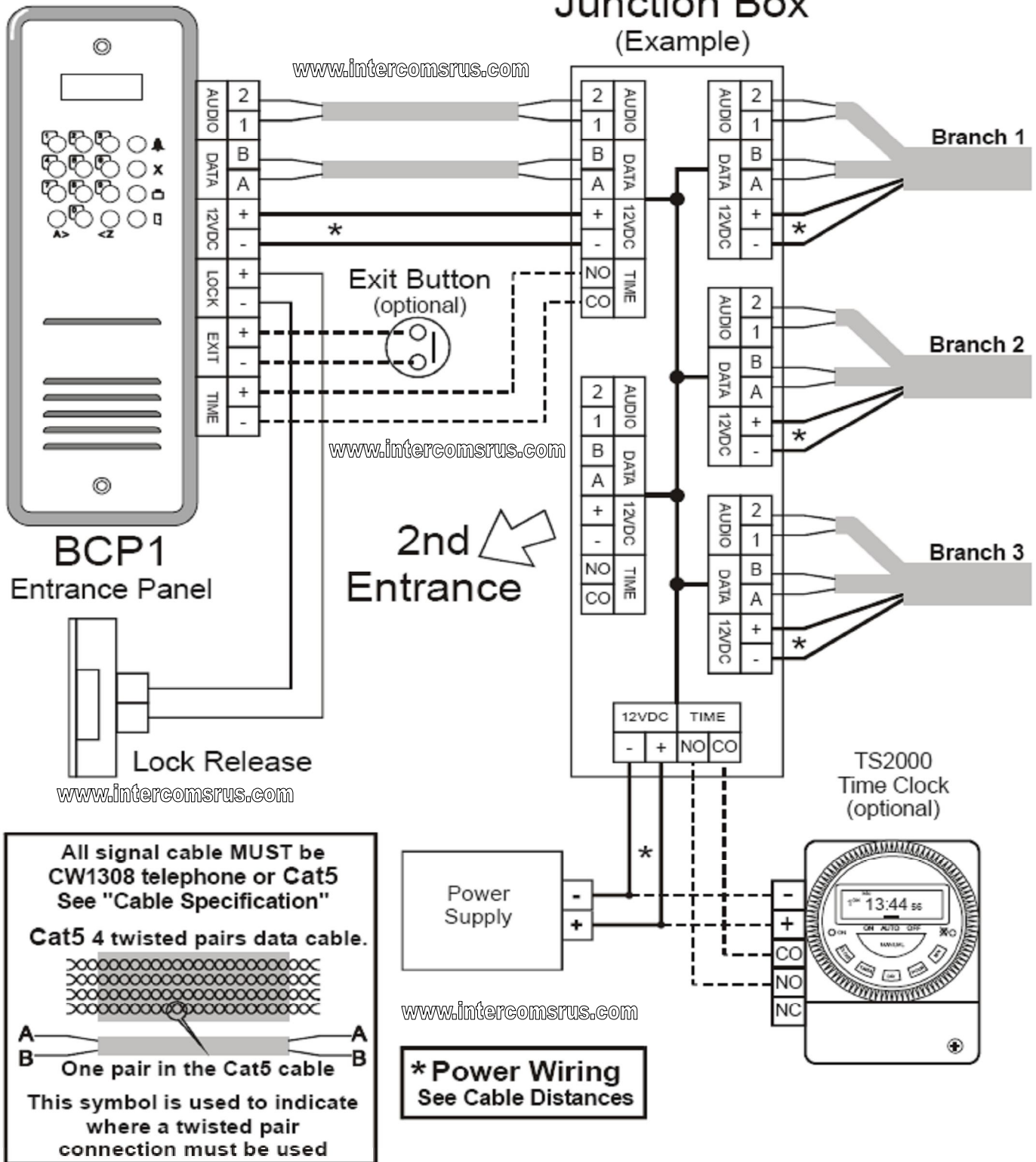
Diagram H – BSD-DIG VR or LCP Panel Detail Wiring



Bellcall Digital Door Entry System

Diagram G – BCP1 Detail Wiring

Junction Box (Example)



All signal cable MUST be CW1308 telephone or Cat5 See "Cable Specification"

Cat5 4 twisted pairs data cable.

A B A B

One pair in the Cat5 cable

This symbol is used to indicate where a twisted pair connection must be used

*** Power Wiring**
See Cable Distances

Bellcall Digital Door Entry System

www.intercomsrus.com

Programming the Phones – BS-A or BC801 not BC801-P or BS-A-P

Each phone on a Bellcall system must be programmed with a unique 1-4 digit flat number, including one or two alphabetic characters.

Valid numbers: 6, 23, 2001, A47, 103G, B1A, 1A1A, A1A1.

Adjacent alphabetic characters cannot be programmed: LG, 1AA, AA1, 1AB2, 21AA.

Alphabetic Characters are selected by first pressing A> or <Z, subsequent presses of A> will step through the alphabet in a positive direction (A, B, C, ...), whilst the <Z button will step in a negative direction (Z, X, Y, ...).

BC801-P phones are supplied pre-programmed.

Program procedure: (Two man operation) www.intercomsrus.com

1. Ensure phones to be programmed are on the hook.
2. Enter Phone Security Code at any panel (default 1212) followed by CALL.
3. Display says WAIT.
4. Pick-up Handset to be programmed ; Display says TALK. Panel and handset may talk to each other; confirm phone new identity.
5. Type new number followed by CALL; Display says OK to confirm.

Program procedure: (One man operation)

Prepare a power supply controller and phone connection either in situ or at a convenient location and follow the above procedure one phone at a time. Mark each phone with its address and then install them.

Test procedure: www.intercomsrus.com

1. Instruct second man to hang-up phone.
2. Call phone from panel using new address e.g. 123 CALL
3. Second man awaits phone ringing then pick-ups to talk.
4. Second man Presses Lock button; first man confirms lock is released at panel.
5. Hang-up and repeat Program procedure for next phone.

It is strongly recommended that the Phone Security Code (TSEC) be changed from its factory setting to prevent unauthorised access (see next page). Record the new number carefully as it cannot be easily changed if lost.

Programming the Panel – BCP1 www.intercomsrus.com

The BCP1 is programmed from the panel for all settings.

Security



It is strongly recommended that the Panel Security Code (PSEC) be changed from its factory setting to prevent unauthorised access. Record the new number carefully as it cannot be easily changed if lost. It is also recommended that the Phone Programming Code (PPRG), and Coded Access Code (ACOD) are all changed from default even if not used.

To access panel programming without the code requires physical access to the controller. Now pressing the test button will enter panel programming for 10S when the panel security code can be read or set..

Panel Programming www.intercomsrus.com

To use Panel Programming Mode :-

- firstly type the Panel Security Code (initially 3434) followed by the **call** button.
- The display will show the first programmable parameter (MODE).
- Press the **door** button to alternate between the current value of the parameter and the name of the parameter.
- Press the **porter** button to step through the programmable parameters:
- To change a parameter simply type a new 4-digit value and then press **call**.
- To exit Panel Program Mode press **cancel**.
- If no button is pressed for 10S then programming mode will auto-cancel.

Code	Action	Default	Action	Description
←		⇒		www.intercomsrus.com
MODE		5003	↓	Multi-Function (See Below)
CODE		1234	↓	Access Code
PORT		0101		Reception/Porter's Phone Number
PSEC		3434	↓	Panel Security Code
TSEC		1212	↓	Phone Security Code – Program Phone

MODE parameter www.intercomsrus.com

Enter a 4-digit number ABCD, Where:-

A is the Trade Mode 0-9 (see table).

B is the lock type; 0= fail secure, 1=fail-safe.

C is unused, set to 0.

D is the lock duration 0-9 secs.

Default 5003; Trade Mode 5, Fail-Secure Lock, Lock Duration 3 seconds

A Trade Mode:

Code = Pressing the **door** button prompts for the access code to open the door.

Door = Pressing the **door** button opens the door.

None = No function pressing the **door** button is ignored.

E.g. 5105; Trade Mode 5, Fail-Safe Lock, Lock Duration 5 seconds

Time Input	Trade Mode Setting									
	0	1	2	3	4	5	6	7	8	9
Open	None	Door	Code	None	Door	Code	None	Door	Code	None
Closed	None	None	None	Door	Door	Door	Code	Code	Code	None

CODE – Access Code

www.intercomsrus.com

Code to open the door. Valid whenever the display indicates CODE. The Trades mode needs to be set to Code as per the table above. The default is 1234 and it is recommended that this is changed for security.

Letters cannot be used in this code, and 4 digits must be used, leading 0 is OK.

PORT – Porter Phone Address

The **porter** button is used to call a porter or reception desk or similar. The number is that of the called phone. The default is 101 which is unlikely to be used by a flat.

PSEC – Panel Security Key

The security key is required to gain access to panel programming.

The code is entered then pressing the **call** button, the default is 3434 and it is recommended that this be changed for security.

This code can contain letters and numbers for added security.

TSEC – Phone Programming Security Key

www.intercomsrus.com

The phone programming security key is required to gain access to flat number programming of telephones. The default is 1212 and it is recommended that this be changed for security.

This code can contain letters and numbers for added security.

Programming the Panel – BSD-DIG

The BSD-DIG is programmed from the panel for all settings.

Security



It is strongly recommended that the Panel Security Code (PSEC) be changed from its factory setting to prevent unauthorised access. Record the new number carefully as it cannot be easily changed if lost. It is also recommended that the Phone Programming Code (PPRG), Coded Access Code (ACOD) and Trades Access Code (TCOD) are all changed from default even if not used.

To access panel programming without the code requires physical access to the controller PCB, borrow a jumper from say video gain (remember the setting) and place it on the 5 pin programming header between pins 1 & 2. Now pressing the test button will enter panel programming for 30S when the panel security code can be read or set. When the programming is finished replace the jumper back to its original location.

Panel Programming www.intercomsrus.com

To use Panel Programming Mode :-

- First type the Panel Security Code (initially 3434) followed by the **call** button.
- The display will show the first programmable parameter (ACOD), and then alternating at 1S intervals will be the data and the parameter name.
- Press the **door** button to step down through the programmable parameters.
- Press the **reception** button to step up through the programmable parameters.
- The list rolls over bottom to top and vice versa.
- To change a numeric parameter simply type a new 1-4-digit value and then press **call**.
- To change other values simply press **call** to choose the next value.
- To exit Panel Program Mode press **cancel**.
- If no button is pressed for 30S then programming mode will auto-cancel.

Code	Default	Access	Description
ACOD	1234		Coded access code – must be 4 digits
TCOD	6789		Trade access code – must be 4 digits
LTIM	0003		Lock Time: 1-99 seconds
LOCK	Secr		Lock Type: Secr (fail secure), Safe (fail safe)
CAM2	No		Camera 2: No (absent), Yes (present)
TRAD	0005		Trade Function: 0-9 – see table
DMON	Cwo		Door Monitor Polarity: Cwo, Owo
RECP	9898		Reception / Porter phone number
PSEC	3434		Panel security code
PPRG	1212		Phone programming security code
RING	0015		Ring Time – see table
TALK	0015		Talk Time – see table
STONE	Both		Ring and Lock Buzz-Tone enable, 4 settings
CANC	Yes		Allow Cancel button to terminate Call
BCAL	No		Bellcall BCP1 compatibility mode
12A?	No		Allows user entry of 12A to call BSC4 output 13