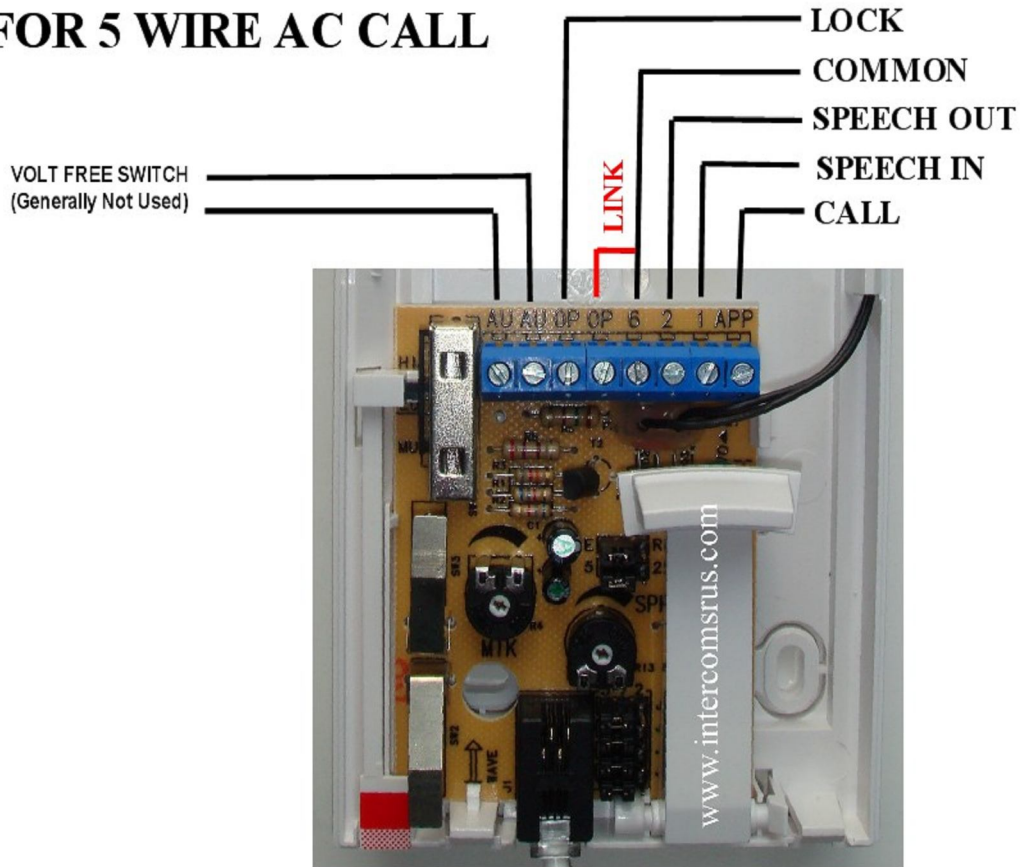


BITRON UNIVERSAL 1407/010

Quick Start Guide

For AC Buzzer Call Handsets

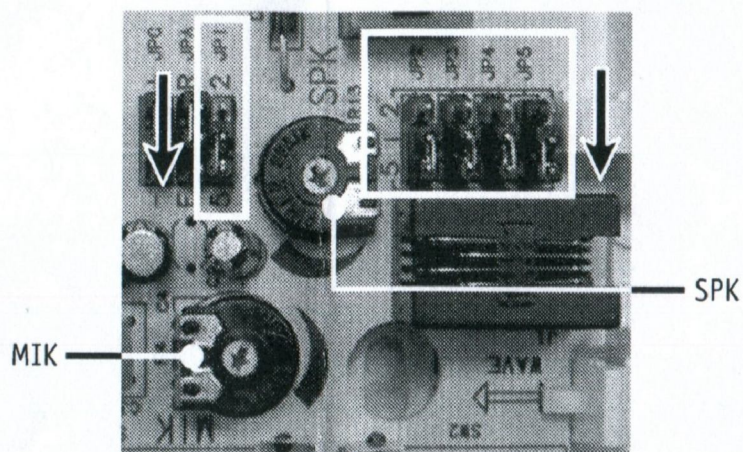
FOR 5 WIRE AC CALL



- 1) Note down original handset terminals and cable colours before removing original handset.
- 2) For basic 5 wire AC Buzzer call systems you do not need to alter any of the jumper settings
- 3) Wire up as indicated by the chart included with handset (POPULAR CONVERSIONS BELOW) and DO NOT FORGET THE **LINK** between 6 & Op (otherwise the lock release will not open)
- 4) Test handset operation if you get feedback (Whistle) reduce volumes on trimmers with a small screw driver (Gently)
- 5) Refit the cover

4+N SYSTEMS

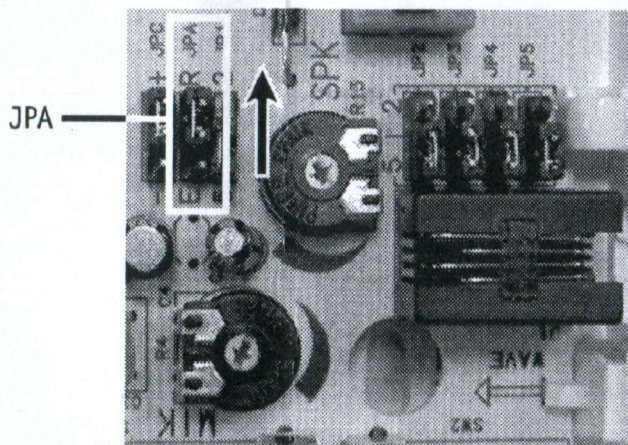
For 4+n (5 wires) systems, put all the jumpers JP1+JP5 in position "5", as shown in the photo (standard configuration):



In case of traditional speech signal, set the trimmers MIK and SPK as shown in the photo. In case of electronic speech signal, rotate all the trimmer SPK clockwise.

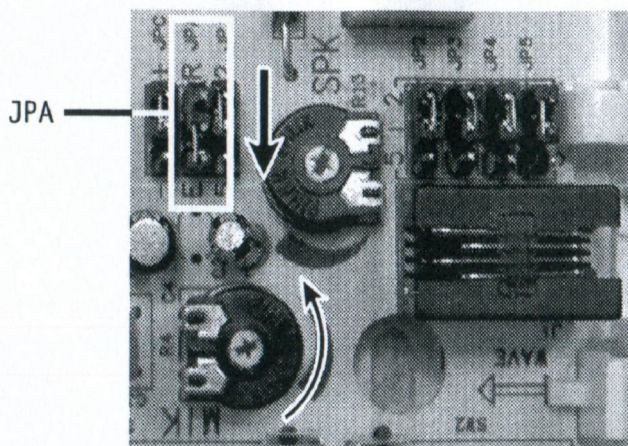
CALL BY BUZZER

Put the jumper JPA in position "R".



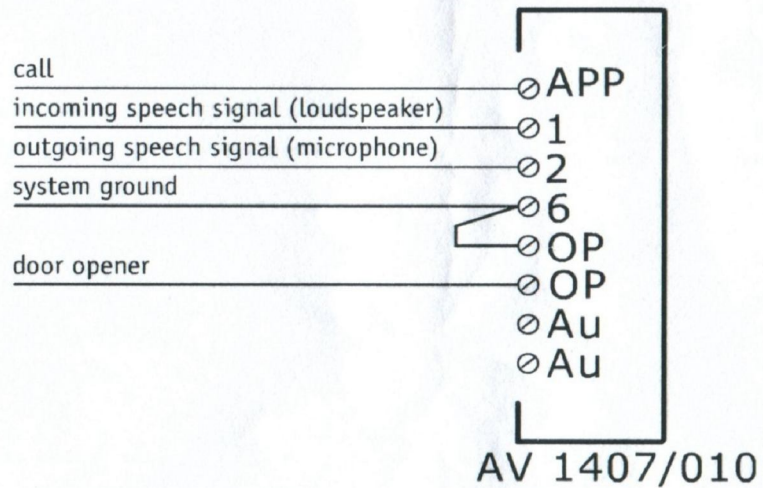
ELECTRONIC CALL BY HANDSET LOUDSPEAKER

- Put the jumper JPA in position "E".



CONNECTIONS

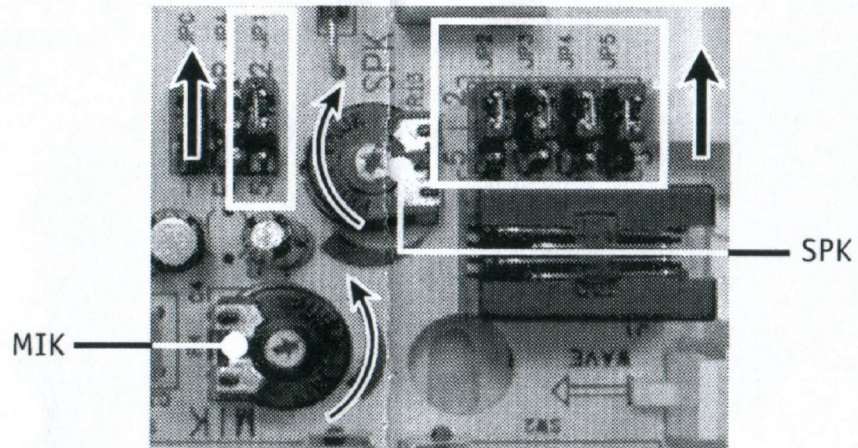
4+N SYSTEMS



1+N SYSTEMS

- Leave the jumper JPC in "+" position.

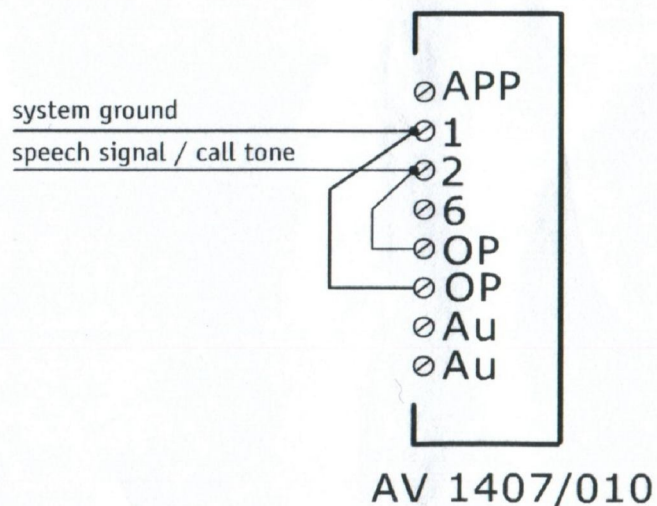
For 1+n (2 wires) systems, put all the jumpers JP1÷JP5 in position "2", as shown in the photo:



Rotate all the trimmer SPK clockwise.

Rotate the trimmer MIK at about central stroke position.

1+N SYSTEMS



AV1407/010	OP / OP	2	6	1	APP (E)	APP (R)
Manufacturer	Door opener	Outgoing speech signal	Ground	Ingoing speech signal	Electronic call tone	Call tone by buzzer
ACET	5	10	2	7	9	
ACET-ANTENOPHONE	5	10	2	7		9
ACET-ANTENOPHONE	7	3	6	4		5
AIPHONE (poste CVK)	4	1	3	2	B	
AMPER	D	A	C	B	E	
AMPLIVOX	Z	T	0	R		1
AMPLIVOX	Z	8	0	T		1
AMPLIVOX	2	T	0	R		1
ATEA	2	4	3	1	5	
AUTA TF92	10	3	4	7	12	
AUTELCO	P5	a	1	b	2	
BELL SYSTEM TELEPHO.	Z	R	0	T	I	
Bitron	9	2	6	1	C7	11
BOGEN	T	1'	3	2	6	
CENTRAMATIC	4	2	1	3	5	
CEVAM	2	6	9	4		R
CITESA	1	4	C	3	B	
CITOFONIX	3	1	2	4		5
CITVOX	5	10	9	7	T	
COMELIT	5	3/6	4	2	1	
ELBEX		MIC	LOW	SPEC	+	
ELBOX	2	6	9	4	+	
ELVOX	7	2	3/4/5	1	6	
FARFISA	5	1	3	2	6	
FERMAX	1	2	3	6	4	
FERMAX 2044,20440,21100	1	2	3	6	4	
FERMAX GONDOLA	4	1	3	2	V/5	
FERMAX REKTO TF-4	P	A	C	B	E	
FRINGE	2	3	1	6	4	
GAME	P	2	3	1	Z	
GIRO	2	3	1	6	4	
GOLMAR	X	M	A	S	N	
GOLMAR	C2	5	3	10	7	
GOLMAR	11	5	3	4	12	
GOLMAR T-2800	4	5	3	10	7	

AV1407/010	OP / OP	2	6	1	APP (E)	APP (R)
Manufacturer	Door opener	Outgoing speech signal	Ground	Ingoing speech signal	elettronica Electronic call tone	Call tone by buzzer
GOLMAR T-600	T	1	3	2	6	
LT TERRANEO	T1	1	3	2	6	
OSTELVI	9	2	6	1	7	
PORMAT	4	3	2/5	1	v	
RIPOLLES	3	1	8	2	4	
RITTO ELEGANT 40518	11	12	13	15	14	
SAFNAT	4	1	2	3	v	
SEITI	5	1	3	2	6	
SIEDLE HTA 711-01	I	12	9/C	11	7	
SPRINT	"/"	1	3	2	6	
STR NH200	1	M	0	T	S	
STR NH205	1	M	0	T	S	
TAGRA	8	2	6	1	4	
TEGUI GL	3	4	2	5	1	
TEGUI HORIZON (elec.)	3	4	2	5	1	
TEGUI HORIZON (Zum.)	3	4	2	5	1	
TELEVES	4	2	3	1	T	
TESLA DDZ 85	1	2	3	6	4	
TESLA DDZ 93	z	2	3	6	4	
TUNE	8	2	6	1	4	
URMET	8/9	2	11	1	7	
URMET	9	2	6	1	7	
URMET	9	2	6	1	CA	7
VIDEX	5	1	7	2	6	
YUS PHONE	EL	T	-	R	B/PT	
TRANSIFON	1	5	6	7		4
VEMEL	5	2	3	4		1
VIDEX	5	1	7/3	2	4	6
VISIDIS(OKAY)	5	2	4	3/6		1