

# Bitron AV1407/010 Universal T-Line



## Terminals

|        |                     |
|--------|---------------------|
| AuAu   | Aux Button          |
| OpOp   | Lock                |
| 6      | Ground              |
| 2      | Speech Out (Mic)    |
| 1      | Speech In (Speaker) |
| APP(E) | Electronic Call     |
| APP(R) | Buzzer Call         |

### **IMPORTANT NOTE :**

- 1) Before replacing the handset make note of the wires to each terminal on the existing unit (an easy way is to cut each core off leaving a piece of the insulation in place with colour visible) twist unused cores together (so you know they are not used, do not short them out).
- 2) Some older systems will have cable with one coloured core and a solid white core in this case mark each core with a marker or tape.
- 3) Some systems may have loop on wiring, you will have 2 cables into your handset (make sure any joins remain, as these may be serving other flats on the system).

# Bitron AV1407/010 Compatibility Chart

| AV1407/010                  | OP / OP     | 2                      | 6      | 1                     | APP ( E )            | APP ( R )           |
|-----------------------------|-------------|------------------------|--------|-----------------------|----------------------|---------------------|
| Manufacturer                | Door opener | Outgoing speech signal | Ground | Ingoing speech signal | Electronic call tone | Call tone by buzzer |
| <i>www.intercomsrus.com</i> |             |                        |        |                       |                      |                     |
| ACET                        | 5           | 10                     | 2      | 7                     | 9                    |                     |
| ACET-ANTENOPHONE            | 5           | 10                     | 2      | 7                     |                      | 9                   |
| ACET-ANTENOPHONE            | 7           | 3                      | 6      | 4                     |                      | 5                   |
| AIPHONE (poste CVK)         | 4           | 1                      | 3      | 2                     | B                    |                     |
| AMPER                       | D           | A                      | C      | B                     | E                    |                     |
| AMPLIVOX                    | Z           | T                      | 0      | R                     |                      | 1                   |
| AMPLIVOX                    | Z           | 8                      | 0      | T                     |                      | 1                   |
| AMPLIVOX                    | 2           | T                      | 0      | R                     |                      | 1                   |
| ATEA                        | 2           | 4                      | 3      | 1                     | 5                    |                     |
| AUTA TF92                   | 10          | 3                      | 4      | 7                     | 12                   |                     |
| AUTELCO                     | P5          | a                      | 1      | b                     | 2                    |                     |
| BELL SYSTEM TELEPHO.        | Z           | R                      | 0      | T                     | I                    |                     |
| Bitron                      | 9           | 2                      | 6      | 1                     | C7                   | 11                  |
| BOGEN                       | T           | 1                      | 3      | 2                     | 6                    |                     |
| BPT                         | 2           | 1                      | 4      | 5                     | 3                    |                     |
| CENTRAMATIC                 | 4           | 2                      | 1      | 3                     | 5                    |                     |
| CEVAM                       | 2           | 6                      | 9      | 4                     |                      | R                   |
| CITESA                      | 1           | 4                      | C      | 3                     | B                    |                     |
| CITOFONIX                   | 3           | 1                      | 2      | 4                     |                      | 5                   |
| CITVOX                      | 5           | 10                     | 9      | 7                     | T                    |                     |
| COFREL TERANEO LT           | T           | 2                      | 3      | 1                     |                      | 6                   |
| COMELIT                     | 5           | 3/6                    | 4      | 2                     | 1                    |                     |
| ELBEX                       |             | MIC                    | LOW    | SPEC                  | +                    |                     |
| ELBOX                       | 2           | 6                      | 9      | 4                     | +                    |                     |
| ELBOX                       | 7           | 2                      | 3/4/5  | 1                     | 6                    |                     |
| FARFISA                     | 5           | 1                      | 3      | 2                     | 6                    |                     |
| FERMAX                      | 1           | 2                      | 3      | 6                     | 4                    |                     |
| FERMAX<br>2044,20440,21100  | 1           | 2                      | 3      | 6                     | 4                    |                     |
| FERMAX GONDOLA              | 4           | 1                      | 3      | 2                     | V/5                  |                     |
| FERMAX REKTO TF-4           | P           | A                      | C      | B                     | E                    |                     |
| FRINGE                      | 2           | 3                      | 1      | 6                     | 4                    |                     |
| GAME                        | P           | 2                      | 3      | 1                     | Z                    |                     |
| GIRO                        | 2           | 3                      | 1      | 6                     | 4                    |                     |
| GOLMAR                      | X           | M                      | A      | S                     | N                    |                     |
| GOLMAR                      | C2          | 5                      | 3      | 10                    | 7                    |                     |
| GOLMAR                      | 11          | 5                      | 3      | 4                     | 12                   |                     |
| GOLMAR T-2800               | 4           | 5                      | 3      | 10                    | 7                    |                     |

| AV1407/010                  | OP / OP     | 2                      | 6      | 1                     | APP ( E )            | APP ( R )           |
|-----------------------------|-------------|------------------------|--------|-----------------------|----------------------|---------------------|
| Manufacturer                | Door opener | Outgoing speech signal | Ground | Ingoing speech signal | Electronic call tone | Call tone by buzzer |
| <i>www.intercomsrus.com</i> |             |                        |        |                       |                      |                     |
| GOLMAR T-600                | T           | 1                      | 3      | 2                     | 6                    |                     |
| LT TERRANEO COFREL          | T1          | 1                      | 3      | 2                     | 6                    |                     |
| OSTELVI                     | 9           | 2                      | 6      | 1                     | 7                    |                     |
| PORMAT                      | 4           | 3                      | 2/5    | 1                     | v                    |                     |
| RIPOLLES                    | 3           | 1                      | 8      | 2                     | 4                    |                     |
| RITTO ELEGANT 40518         | 11          | 12                     | 13     | 15                    | 14                   |                     |
| SAFNAT                      | 4           | 1                      | 2      | 3                     | v                    |                     |
| SEITI                       | 5           | 1                      | 3      | 2                     | 6                    |                     |
| SIEDLE HTA 711-01           | I           | 12                     | 9/C    | 11                    | 7                    |                     |
| SPRINT                      | "/"         | 1                      | 3      | 2                     | 6                    |                     |
| STR NH200                   | 1           | M                      | 0      | T                     | S                    |                     |
| STR NH205                   | 1           | M                      | 0      | T                     | S                    |                     |
| TAGRA                       | 8           | 2                      | 6      | 1                     | 4                    |                     |
| TEGUI GL                    | 3           | 4                      | 2      | 5                     | 1                    |                     |
| TEGUI HORIZON (elec.)       | 3           | 4                      | 2      | 5                     | 1                    |                     |
| TEGUI HORIZON (Zum.)        | 3           | 4                      | 2      | 5                     | 1                    |                     |
| TELEVES                     | 4           | 2                      | 3      | 1                     | T                    |                     |
| TESLA DDZ 85                | 1           | 2                      | 3      | 6                     | 4                    |                     |
| TESLA DDZ 93                | z           | 2                      | 3      | 6                     | 4                    |                     |
| TUNE                        | 8           | 2                      | 6      | 1                     | 4                    |                     |
| URMET                       | 8/9         | 2                      | 11     | 1                     | 7                    |                     |
| URMET                       | 9           | 2                      | 6      | 1                     | 7                    |                     |
| URMET                       | 9           | 2                      | 6      | 1                     | CA                   | 7                   |
| VIDEX                       | 5           | 1                      | 7      | 2                     | 6                    |                     |
| YUS PHONE                   | EL          | T                      | -      | R                     | B/PT                 |                     |
| TRANSIFON                   | 1           | 5                      | 6      | 7                     |                      | 4                   |
| VEMEL                       | 5           | 2                      | 3      | 4                     |                      | 1                   |
| VIDEX                       | 5           | 1                      | 7/3    | 2                     | 4                    | 6                   |
| VISIDIS(OKAY)               | 5           | 2                      | 4      | 3/6                   |                      | 1                   |

# Installation Instructions

## CHARACTERISTICS

The main characteristics of AV1407/010 universal door phone are the following:

1. installation in 4+n (5 wires) systems and in 1+n (2 wires) systems.
2. possibility to have traditional call on buzzer or electronic call on handset loudspeaker
3. electronic call adjustment or disabling by a slide switch with three positions.
  - Maximum volume;
  - Minimum volume;
  - call disabling (this is signalled by a little red flag, that comes out of the door phone body)
4. possibility to adjust the incoming speech signal volume (handset loudspeaker)
5. possibility to adjust the outgoing speech signal volume (handset loudspeaker)

✓ By default the door phone is configured for 4+n signals and for call on buzzer.

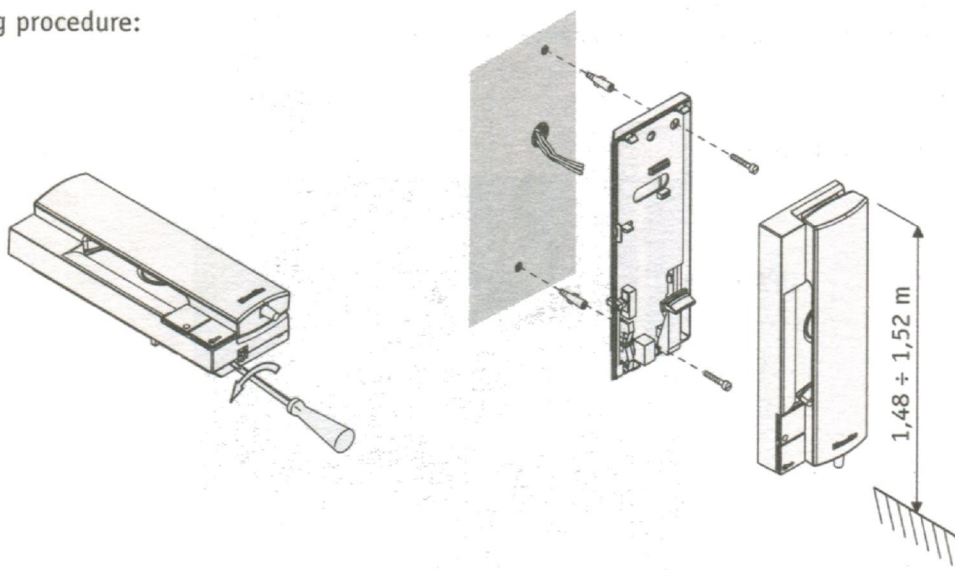
## TERMINAL PINS DESCRIPTION

| Terminal strip connections according to the system wiring |                                      |               |  |
|---|--------------------------------------|---------------|--|
| 2 wires (1+n)   |                                      | 5 wires (4+n) |  |
| APP   | Not connected                        | APP           | Call tone by buzzer or electronic                |
| 1   | System ground                        | 1             | Incoming speech signal (loudspeaker)             |
| 2   | Speech signal/call tone              | 2             | Outgoing speech signal (microphone)              |
| 6   | Not connected                        | 6             | System ground                                    |
| OP  | Connect to door phone terminal pin 1 | OP            | To be connected to the door phone terminal pin 6 |
| OP  | Connect to door phone terminal pin 2 | OP            | Door opener                                      |
| Au  | Free auxiliary contact               | Au            | Free auxiliary contact                           |
| Au  | Free auxiliary contact               | Au            | Free auxiliary contact                           |

## INSTALLATION

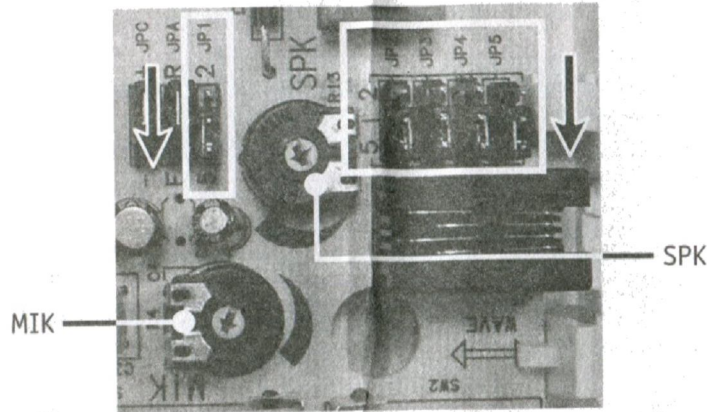
[www.intercomsrus.com](http://www.intercomsrus.com)

Wall mounting procedure:



## 4+N SYSTEMS

For 4+n (5 wires) systems, put all the jumpers JP1÷JP5 in position "5", as shown in the photo (standard configuration):



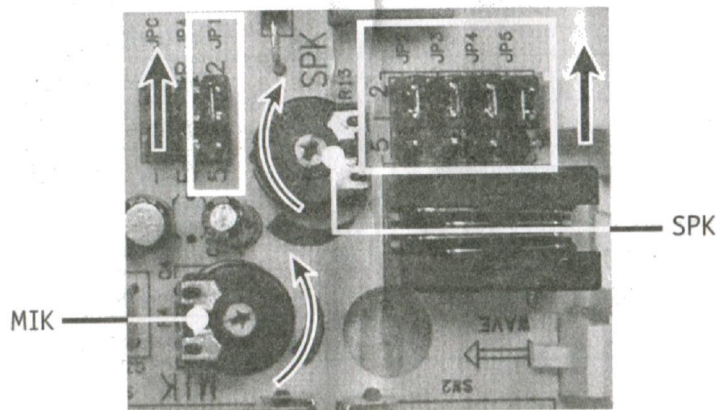
In case of traditional speech signal, set the trimmers MIK and SPK as shown in the photo.  
In case of electronic speech signal, rotate all the trimmer SPK clockwise.

## 1+N SYSTEMS

[www.intercomsrus.com](http://www.intercomsrus.com)

- Leave the jumper JPC in "+" position.

For 1+n (2 wires) systems, put all the jumpers JP1÷JP5 in position "2", as shown in the photo:

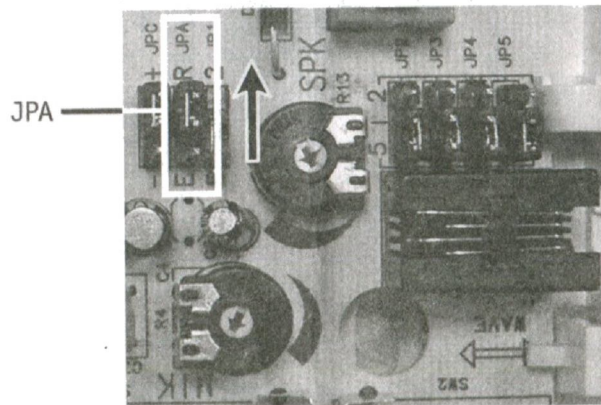


Rotate all the trimmer SPK clockwise.  
Rotate the trimmer MIK at about central stroke position.

## CALL BY BUZZER

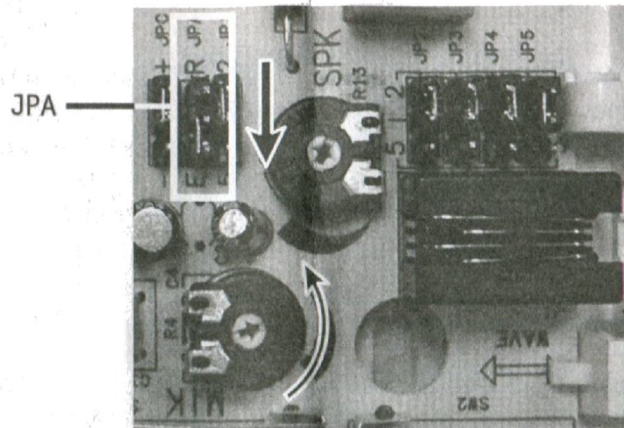
[www.intercomsrus.com](http://www.intercomsrus.com)

Put the jumper JPA in position "R".



## ELECTRONIC CALL BY HANDSET LOUDSPEAKER

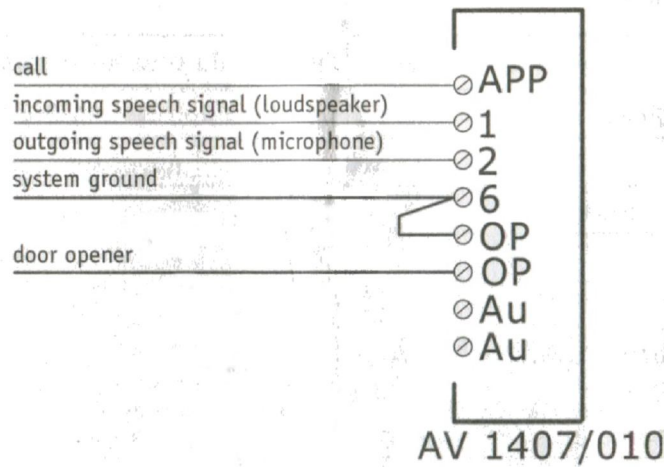
- Put the jumper JPA in position "E".



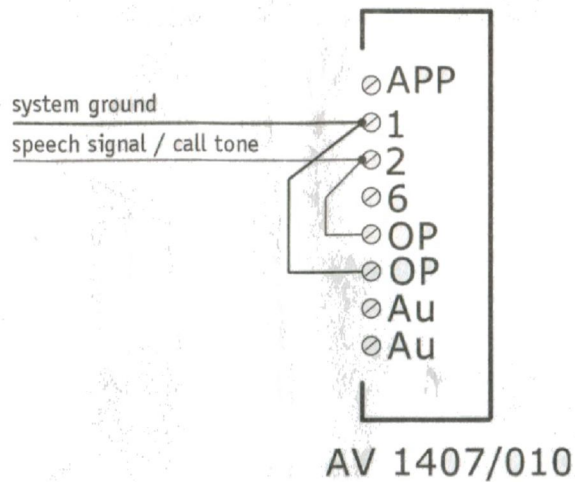
## CONNECTIONS

### 4+N SYSTEMS

[www.intercomsrus.com](http://www.intercomsrus.com)



### 1+N SYSTEMS

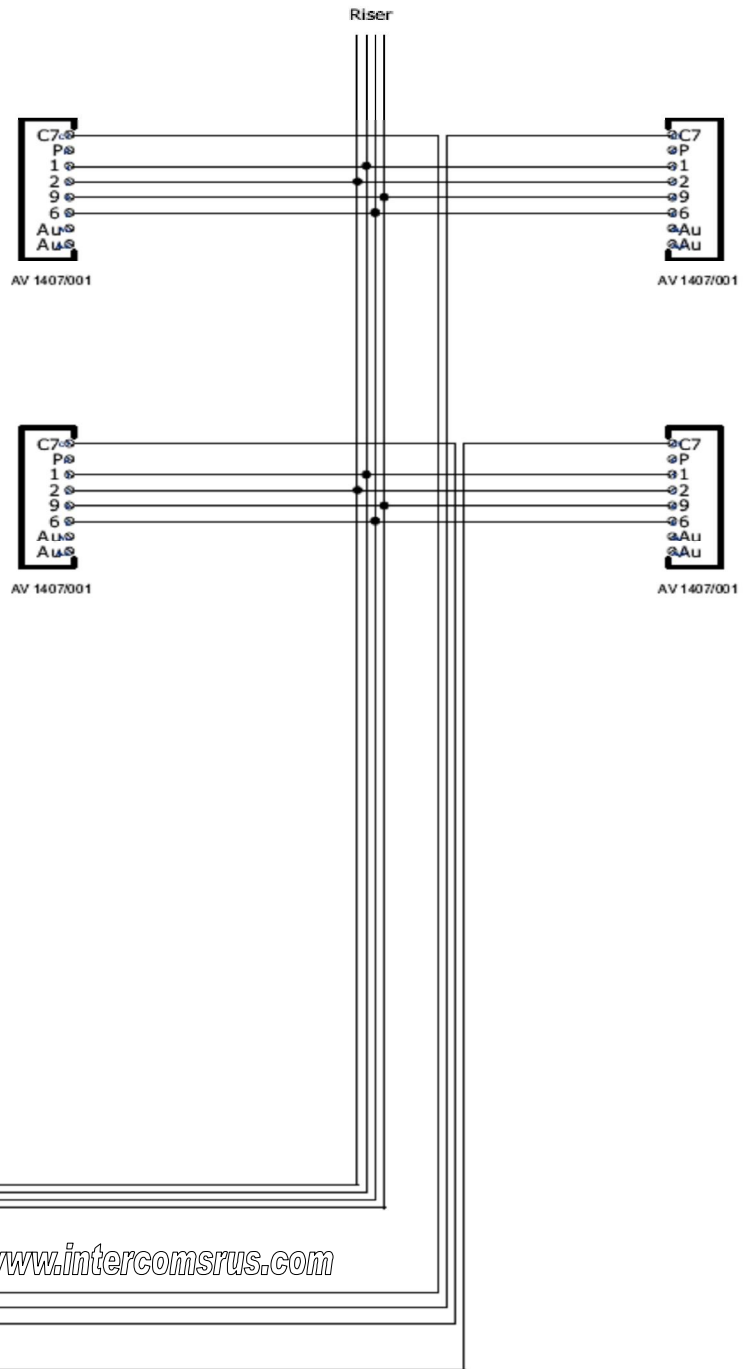


[www.intercomsrus.com](http://www.intercomsrus.com)

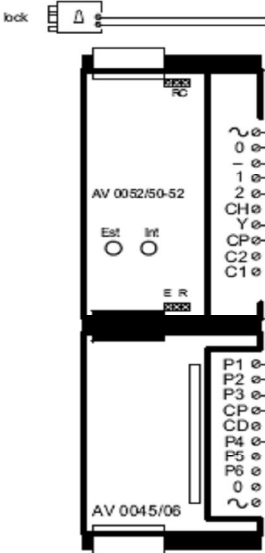
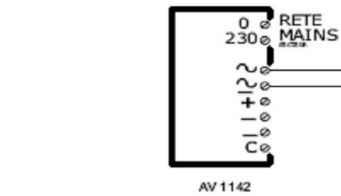
# Wiring Diagram

## Bitron Domular 3000 5 Wire Audio

- Notes -
- A = 4 pair BTcable CW1308
  - Maximum distance from power supply to handset is 100M
  - Maximum distance from entry panel to power supply is 20M
  - For distances 50M - 100M please add 1.0mm Brown and Blue singles from psu to entry panel.
  - For greater distances please contact technical support.
  - Fit MOV suppression across lock connections to protect against back emf.
  - Set jumpers on AV0052/50-52 door unit (RC-E-R) according to instructions in the manual
  - If using a DC release/maglock, a DC power supply and relay will be required



[www.intercomsrus.com](http://www.intercomsrus.com)



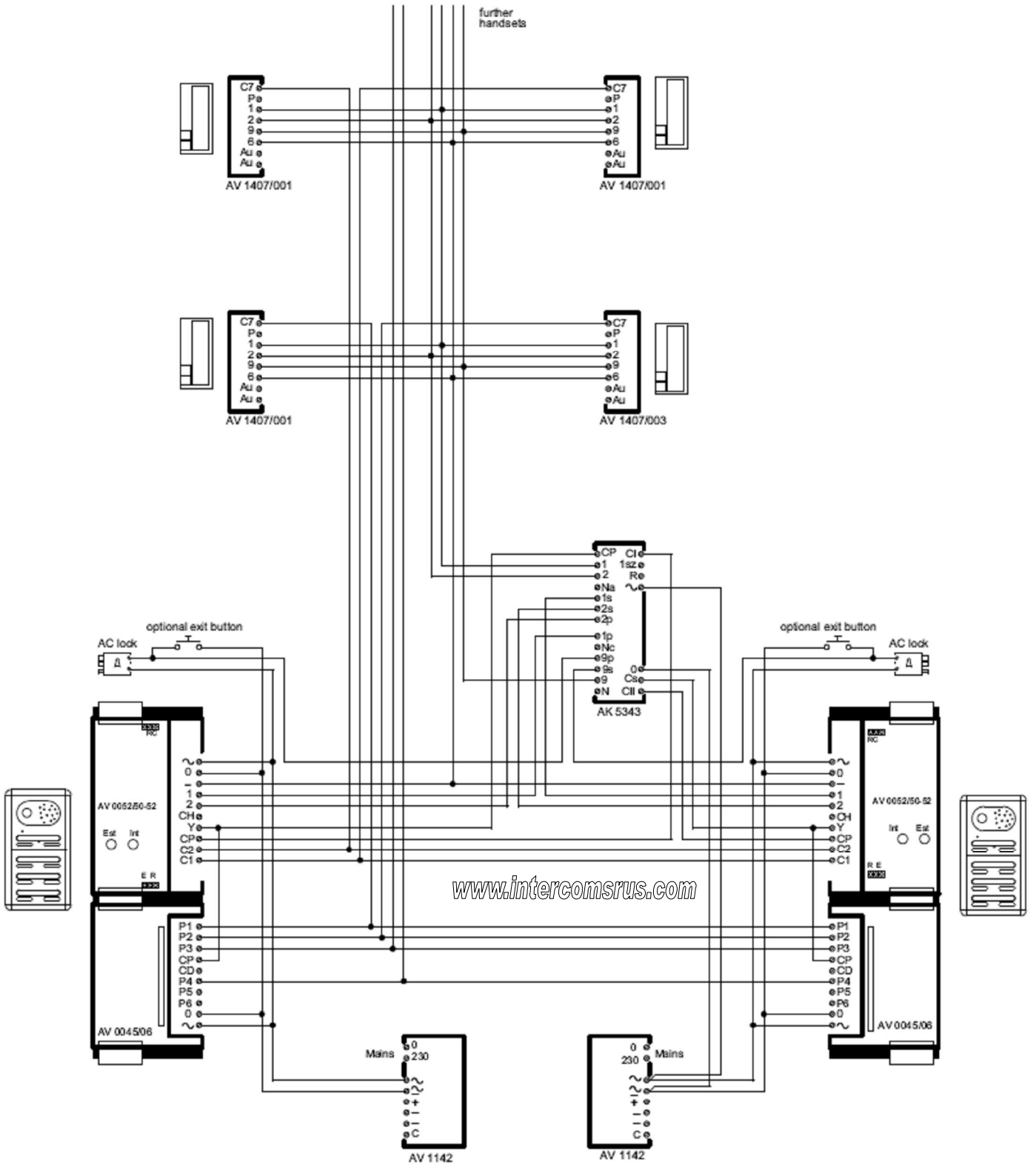
Bus connector with connections

Closing connector without connections

|  |   |        |    |
|--|---|--------|----|
| Title  | Domular 3000 1 Door 4 way 4 + n ref BV-C4N-2008 |        |    |
| Drawing No   | BVG00033/AUD                                    |        |    |
| Date   | 16/01/2009                                      |        |    |
| Revision   | 02  | Author | MD |
| <b>bitronvideo</b><br>STYLE AND INNOVATION<br><a href="http://www.bitronvideo.co.uk">www.bitronvideo.co.uk</a> |   |        |    |

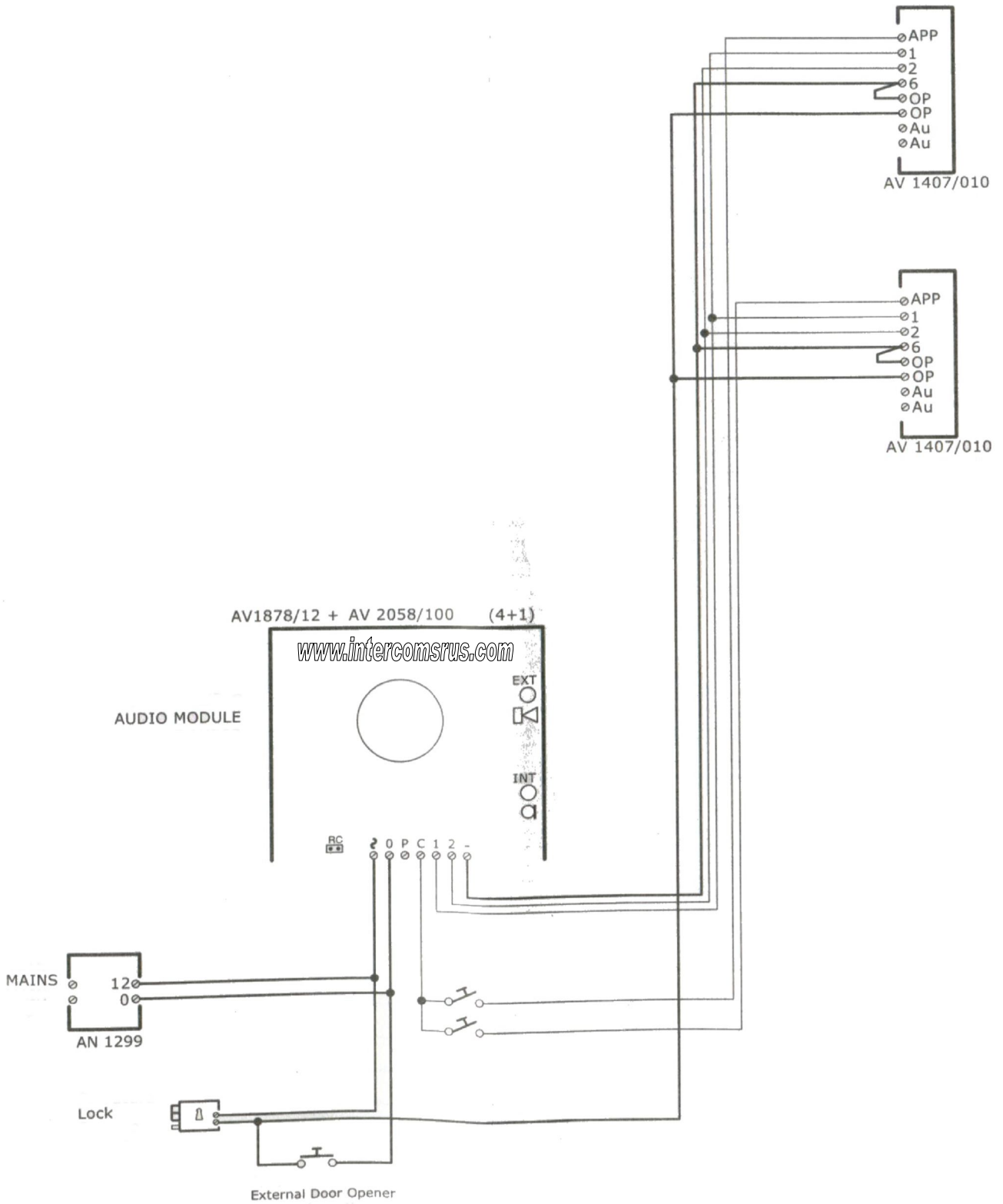
# Wiring Diagram

## Bitron Domular 3000 2 Entrance System





**(Kit AV2058/52) DOORPHONE SYSTEM WITH 1 VISITOR PANEL, 2 USERS**



**(Kit AV2066/22) DOORPHONE SYSTEM WITH 1 VISITOR PANEL, 2 USERS**

