

Bticino 334202 (5 Wire)



Terminals

- 20 Floor Call**
- 1 Common 0V**
- 3 Audio**
- 4 Audio**
- 5 Call**
- 6 Lock**

IMPORTANT NOTE :

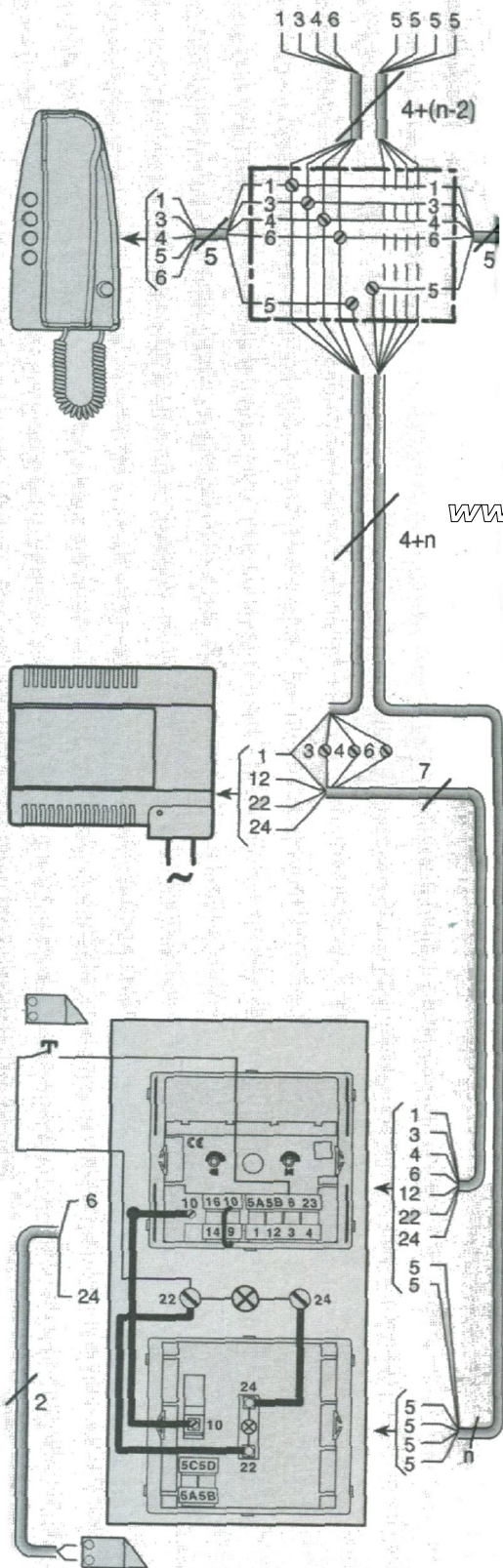
1) Before replacing the handset make note of the wires to each terminal on the existing unit (an easy way is to cut each core off leaving a piece of the insulation in place with colour visible) twist unused cores together (so you know they are not used, do not short them out).

2) Some older systems will have cable with one coloured core and a solid white core in this case mark each core with a marker or tape.

3) Some systems may have loop on wiring, you will have 2 cables into your handset (make sure any joins remain, as these may be serving other flats on the system).

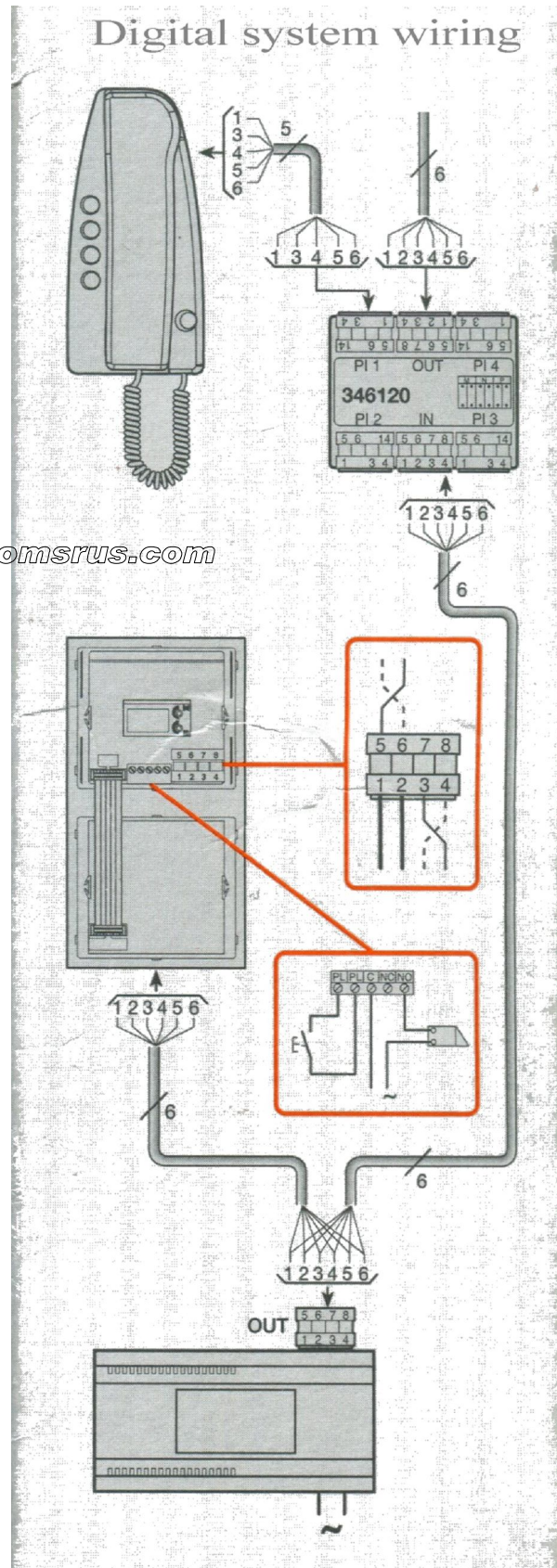
Wiring Diagrams

Analogue System Wiring



www.intercomsrus.com

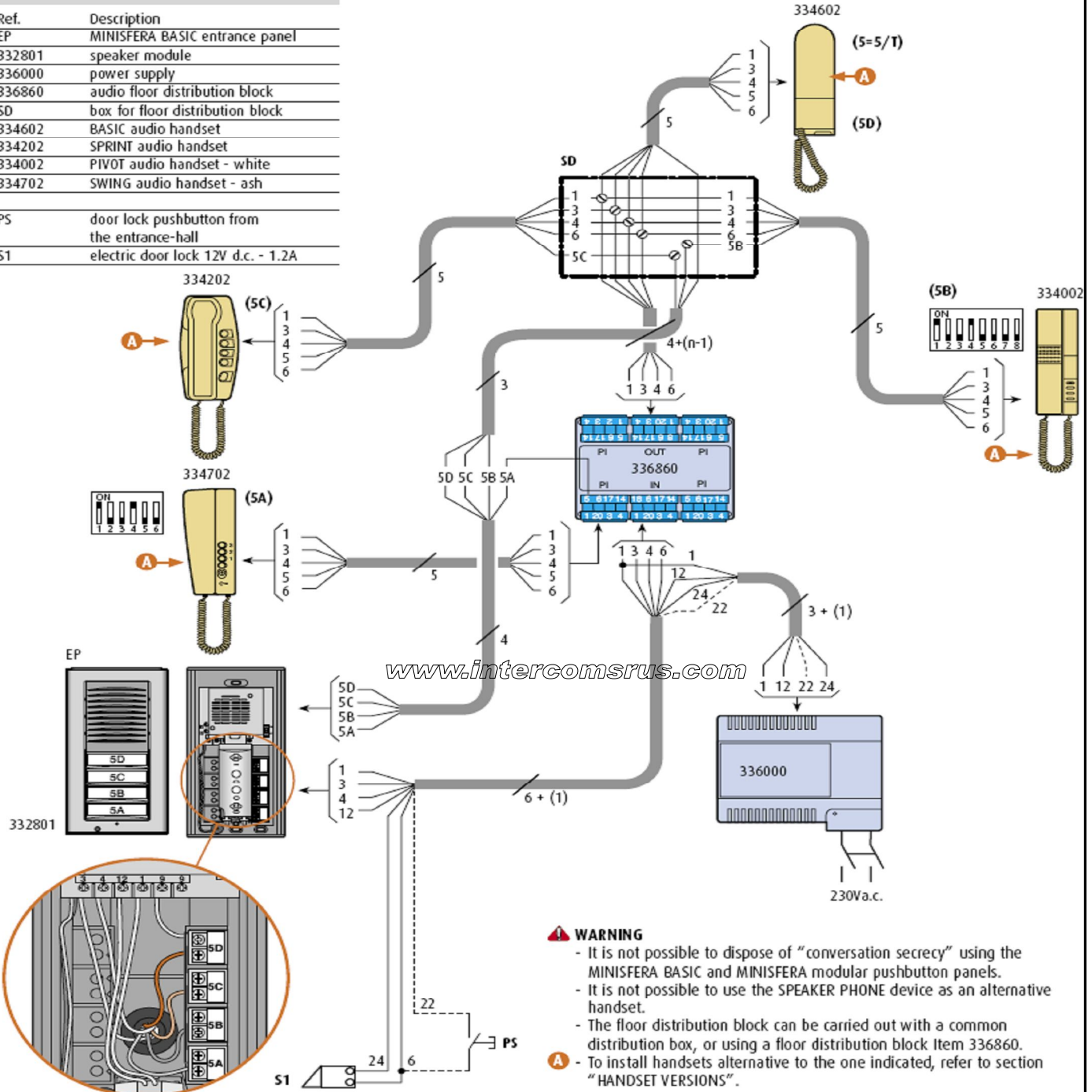
Digital system wiring



A - DIAGRAM 2 - AUDIO MULTI-FAMILY SYSTEM WITH 1 MINISFERA BASIC ENTRANCE PANEL AND 4 HANDSETS

Legend

Ref.	Description
EP	MINISFERA BASIC entrance panel
332801	speaker module
336000	power supply
336860	audio floor distribution block
SD	box for floor distribution block
334602	BASIC audio handset
334202	SPRINT audio handset
334002	PIVOT audio handset - white
334702	SWING audio handset - ash
PS	door lock pushbutton from the entrance-hall
S1	electric door lock 12V d.c. - 1.2A



- WARNING**
- It is not possible to dispose of "conversation secrecy" using the MINISFERA BASIC and MINISFERA modular pushbutton panels.
 - It is not possible to use the SPEAKER PHONE device as an alternative handset.
 - The floor distribution block can be carried out with a common distribution box, or using a floor distribution block Item 336860.
- A** - To install handsets alternative to the one indicated, refer to section "HANDSET VERSIONS".