

# Elvox 6200



## Terminals

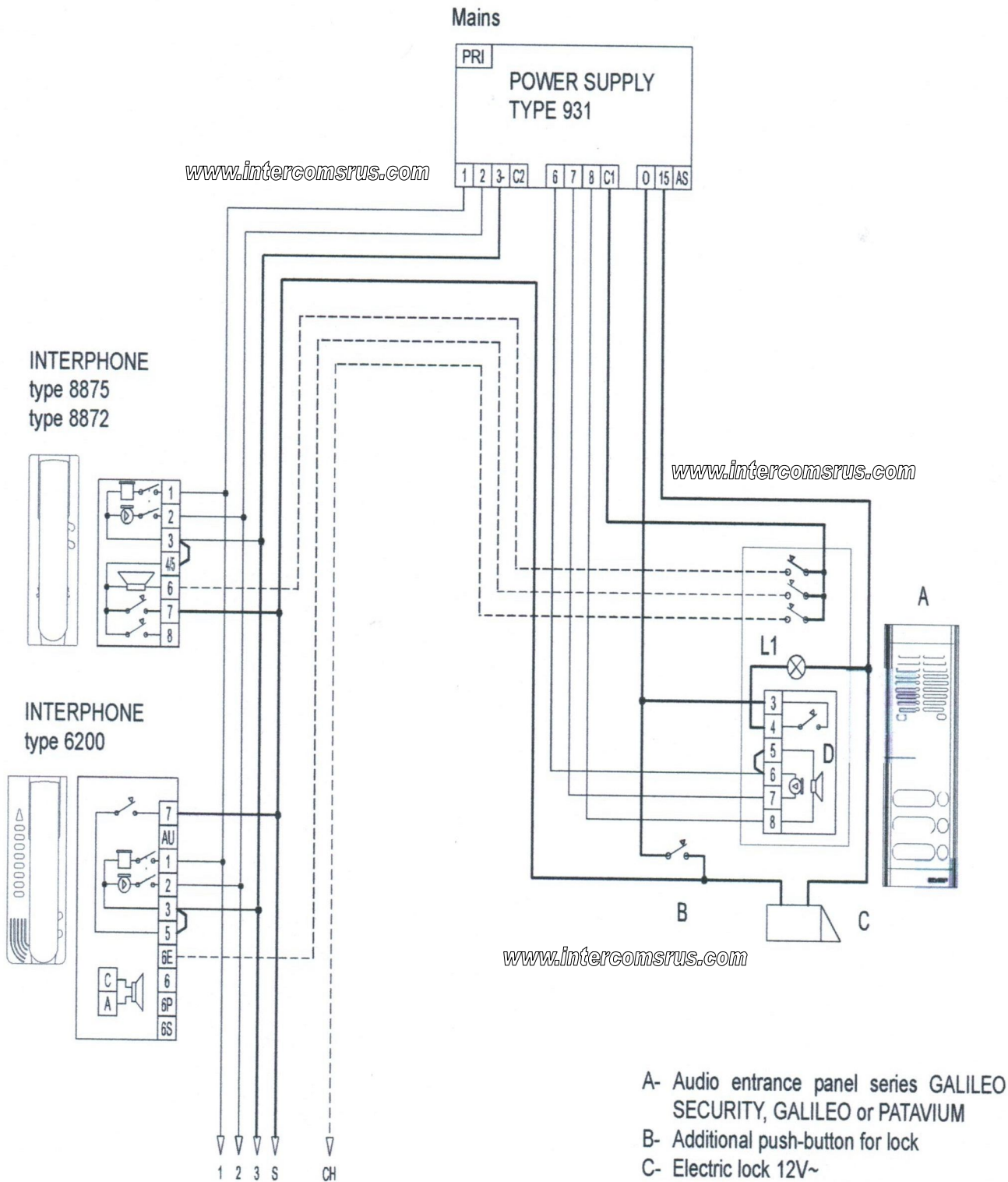
7	Lock	6E	Call
Au		6	
1	Speech In (Speaker)	6P	
2	Speech Out (Mic)	6S	
3	Common (link to 5)		
5			

### IMPORTANT NOTE :

- 1) Before replacing the handset make note of the wires to each terminal on the existing unit (an easy way is to cut each core off leaving a piece of the insulation in place with colour visible) twist unused cores together (so you know they are not used, do not short them out).
- 2) Some older systems will have cable with one coloured core and a solid white core in this case mark each core with a marker or tape.
- 3) Some systems may have loop on wiring, you will have 2 cables into your handset (make sure any joins remain, as these may be serving other flats on the system).

# WIRING DIAGRAM

## 1 Way Audio With 931 Power Supply



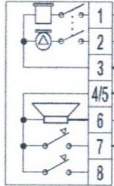
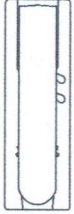
- A- Audio entrance panel series GALILEO SECURITY, GALILEO or PATAVIUM
- B- Additional push-button for lock
- C- Electric lock 12V~
- D- Speech unit type 930 - 930A
- L1- Panel bulb  
(3x24V 3W max.)  
10x24V 3W with type M832  
16x24V 3W with type 832/030

# 1 Way Audio With 936 Power Supply

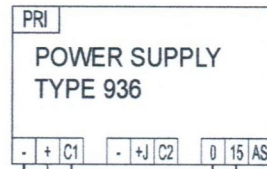
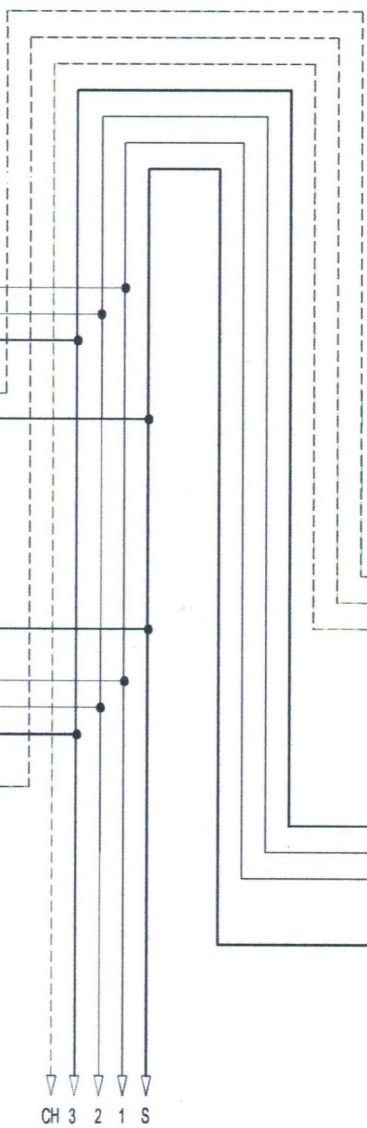
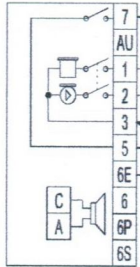
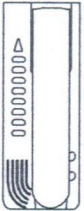
Mains

[www.intercomsrus.com](http://www.intercomsrus.com)

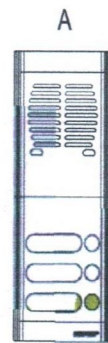
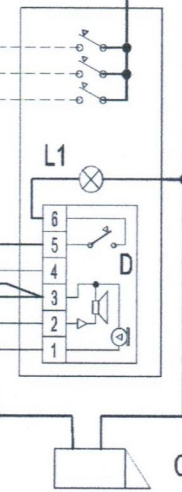
INTERPHONE  
type 8875  
type 8872



INTERPHONE  
type 6200

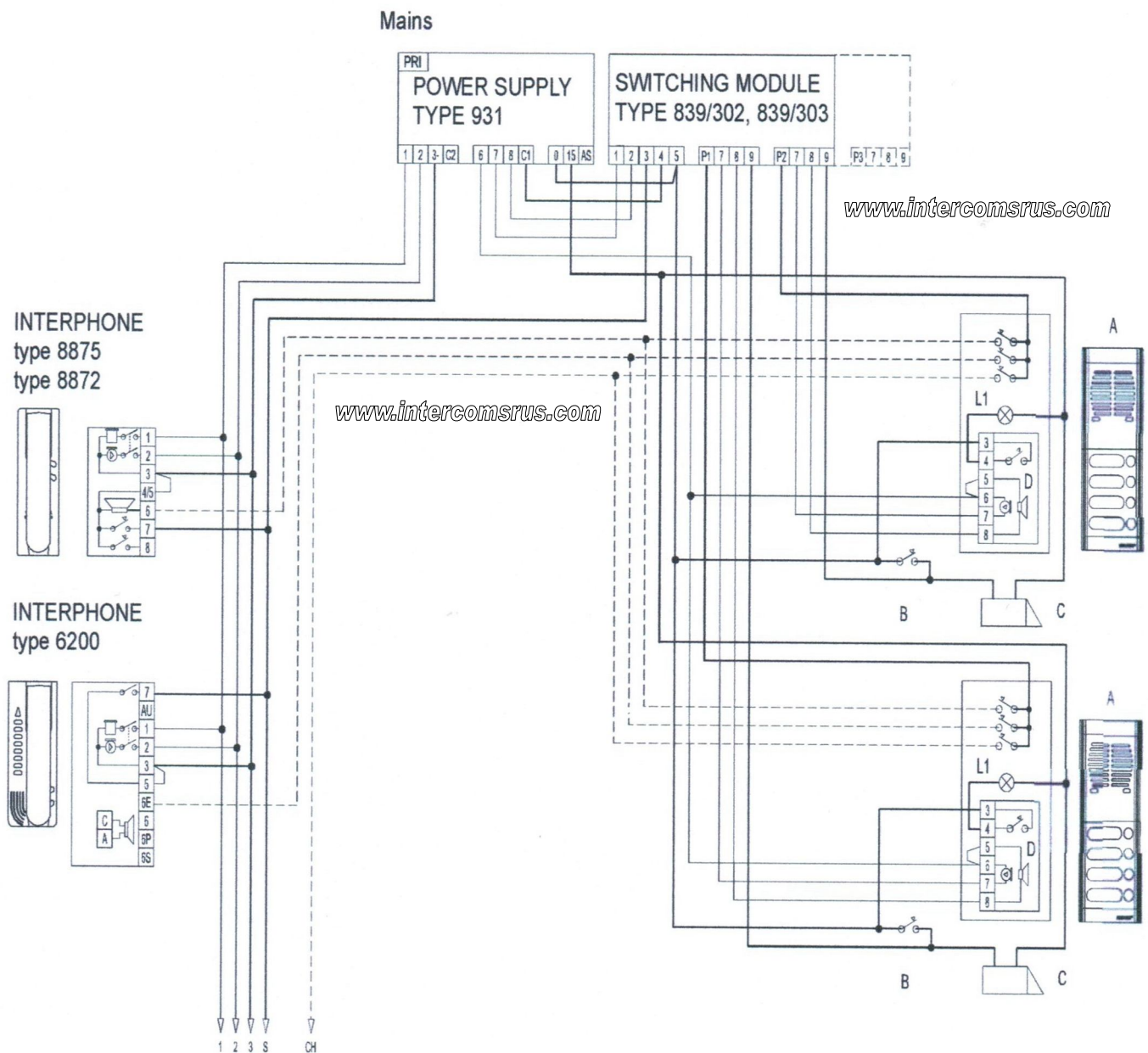


[www.intercomsrus.com](http://www.intercomsrus.com)



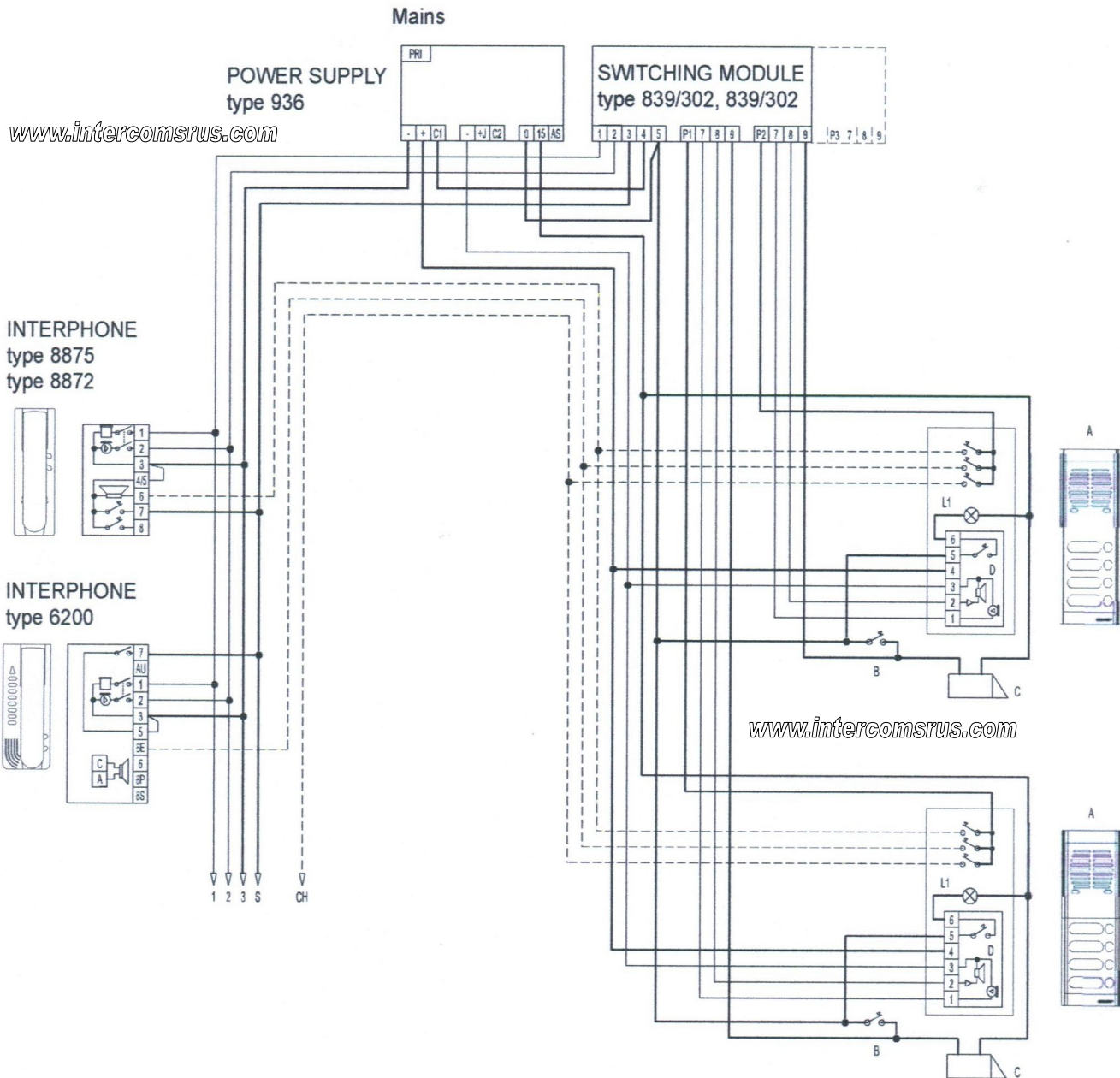
- A- Entrance panel series GALILEO, GALILEO SECURITY or PATAVIUM
- B- Additional push-button for lock
- C- Electric lock 12V~
- D- Speech unit type 930/836 - 930F
- L1- Panel bulb  
(3x24V 3W max.)  
10x24V 3W with type M832  
16x24V 3W with type 832/030

## 2 Entrance System With 931 Power Supply



- A- Entrance panel series GALILEO SECURITY, GALILEO or PATAVIUM
- B- Additional push-button for lock
- C- Electric lock 12V~
- D- Speech unit type 930 or 930A
- L1- Panel bulb  
(3x24V 3W max.)  
10x24V 3W with type M832  
16x24V 3W with type 832/030

# 2 Entrance System With 936 Power Supply



- A- Entrance panel series GALILEO SECURITY GALILEO or PATAVIUM
- B- Additional push-button for lock
- C- Electric lock 12V~
- D- Speech unit type Type 930/836, 930F
- L1- Panel bulb  
(3x24V 3W max.)  
10x24V 3W with type M832  
16x24V 3W with type 832/030

# WIRING DIAGRAM

## Elvox 6200 Handset with 6680 Control Unit

