

Elvox 8877 Digi -Bus



Terminals

- 1 Phone Line
- 3 Negative Line
- 6 Additional Ring Tone
- 7 Aux Button

IMPORTANT NOTE :

1) Before replacing the handset make note of the wires to each terminal on the existing unit (an easy way is to cut each core off leaving a piece of the insulation in place with colour visible) twist unused cores together (so you know they are not used, do not short them out).

2) Some older systems will have cable with one coloured core and a solid white core in this case mark each core with a marker or tape.

3) Some systems may have loop on wiring, you will have 2 cables into your handset (make sure any joins remain, as these may be serving other flats on the system).

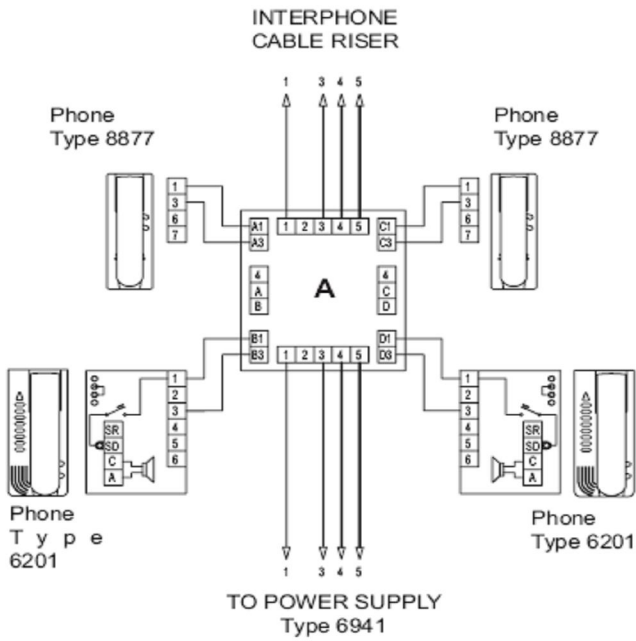
WIRING DIAGRAM

INTERPHONE RISER WITH FLOOR DISTRIBUTOR Type 949B (A) AND WITHOUT DISTRIBUTOR (B). Ref. diagram P2787

The risers shown (Type A or B) must be included in all interphone diagrams given in this collection.

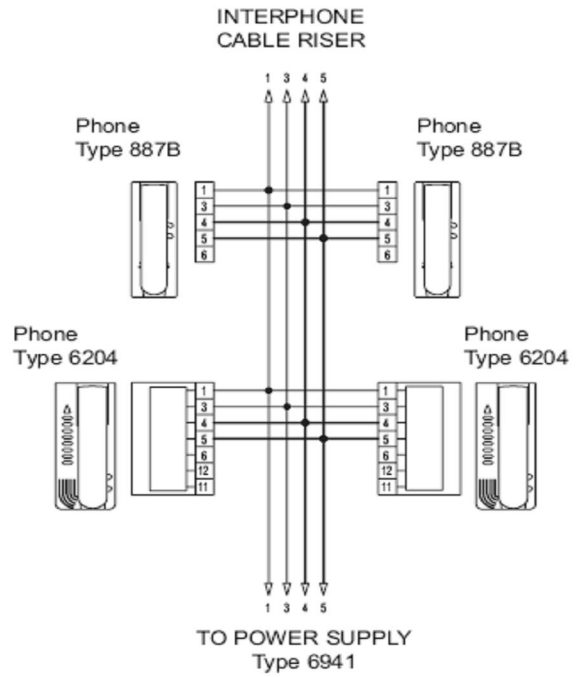
A

www.intercomsrus.com



A - Distributor Type 949B

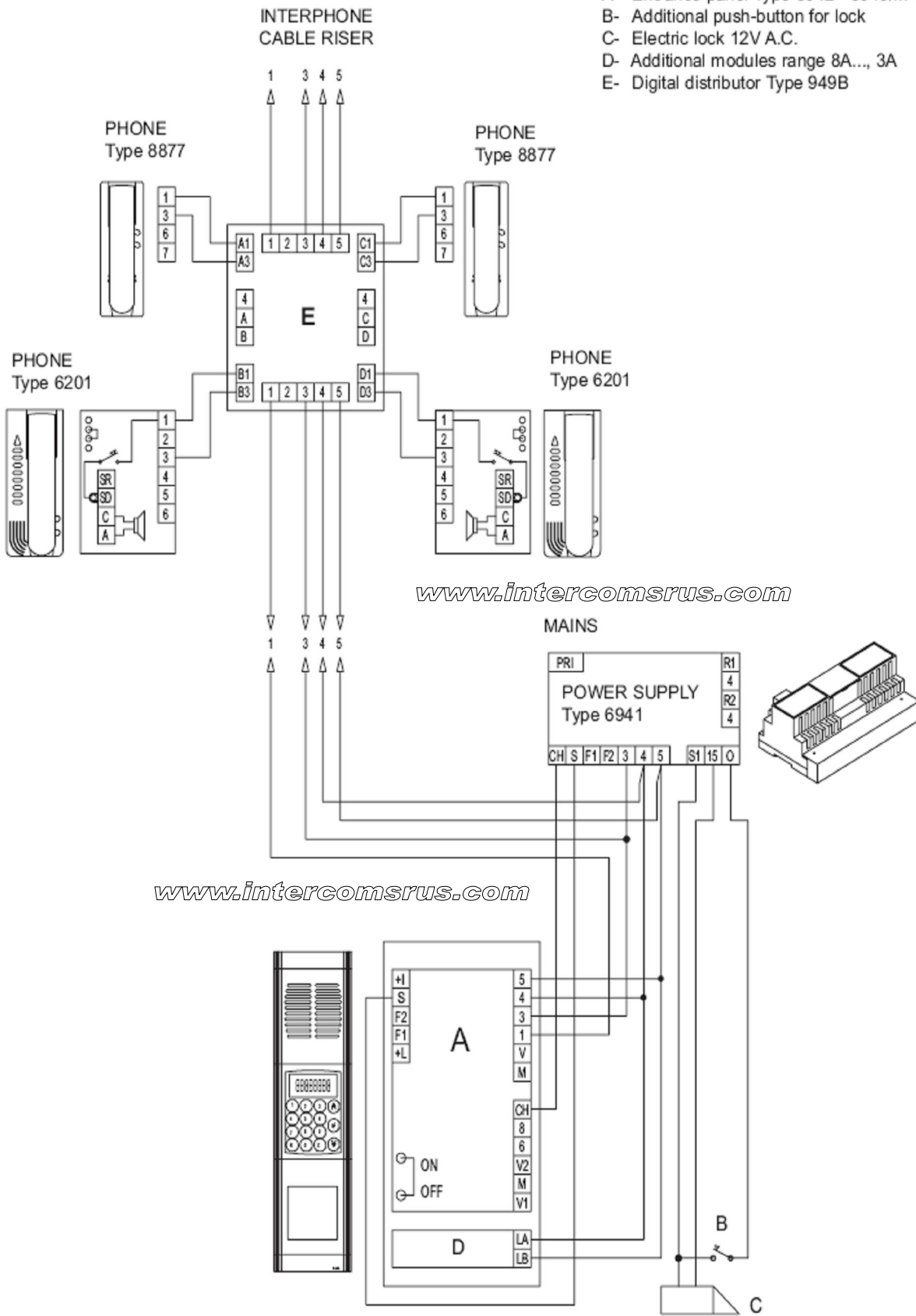
B



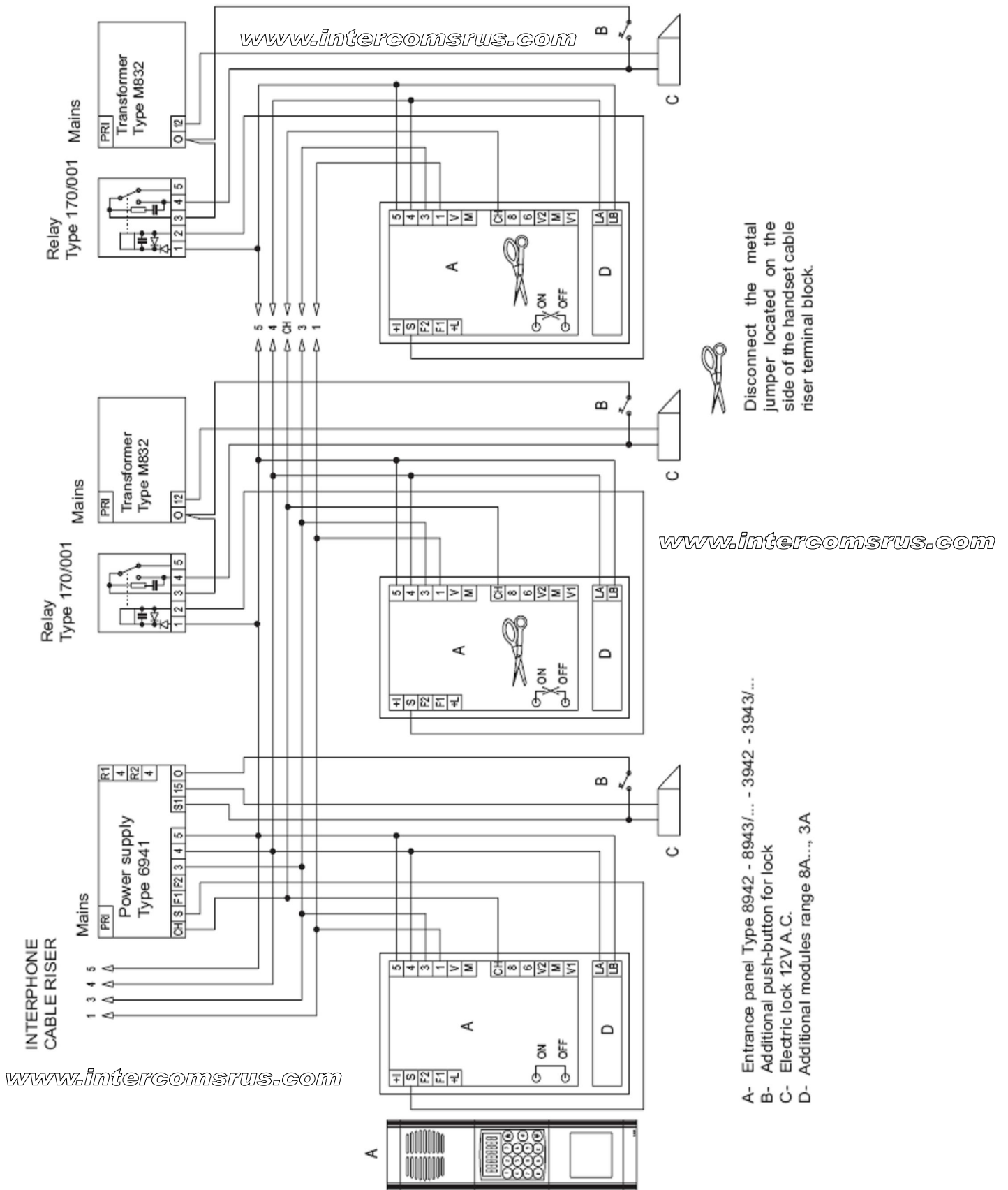
www.intercomsrus.com

2- SIMPLE CONDOMINIAL INSTALLATION WITH FLOOR DISTRIBUTORS EQUIPPED WITH INTERNAL DECODING. Ref. diagram P3063R4

- A- Entrance panel Type 8942 - 8943/... - 3942 - 3943/...
- B- Additional push-button for lock
- C- Electric lock 12V A.C.
- D- Additional modules range 8A..., 3A
- E- Digital distributor Type 949B



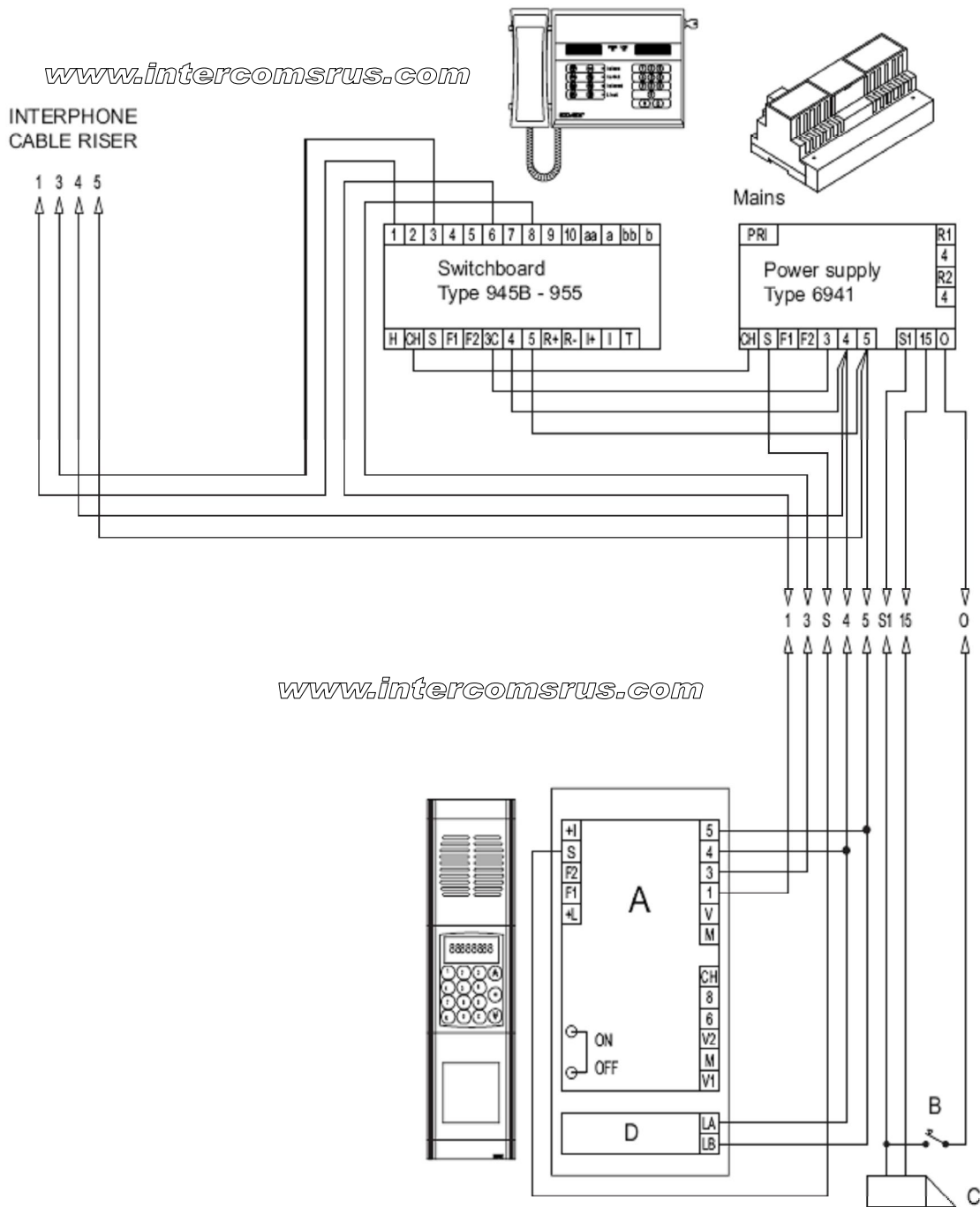
3- SIMPLE CONDOMINIAL INSTALLATION WITH TWO OR MORE PANELS IN PARALLEL.
 Ref. Diagram P2709R3



- A- Entrance panel Type 8942 - 8943/... - 3942 - 3943/...
- B- Additional push-button for lock
- C- Electric lock 12V A.C.
- D- Additional modules range 8A..., 3A

4- SIMPLE CONDOMINIAL INSTALLATION WITH PORTER SWITCHBOARD Ref. diagram PC2767R4

- A- Entrance panel Type 8942 - 8943/... - 3942 - 3943/...
- B- Additional push-button for lock
- C- Electric lock 12V A.C.
- D- Additional modules range 8A..., 3A



1- SIMPLE CONDOMINIAL INSTALLATION WITH INTERPHONES EQUIPPED WITH INTERNAL DECODING. Ref diagram P3062R4

