

ENSIGN 3406



Terminals

C	+
1	P
2	R
L	
-	
A	

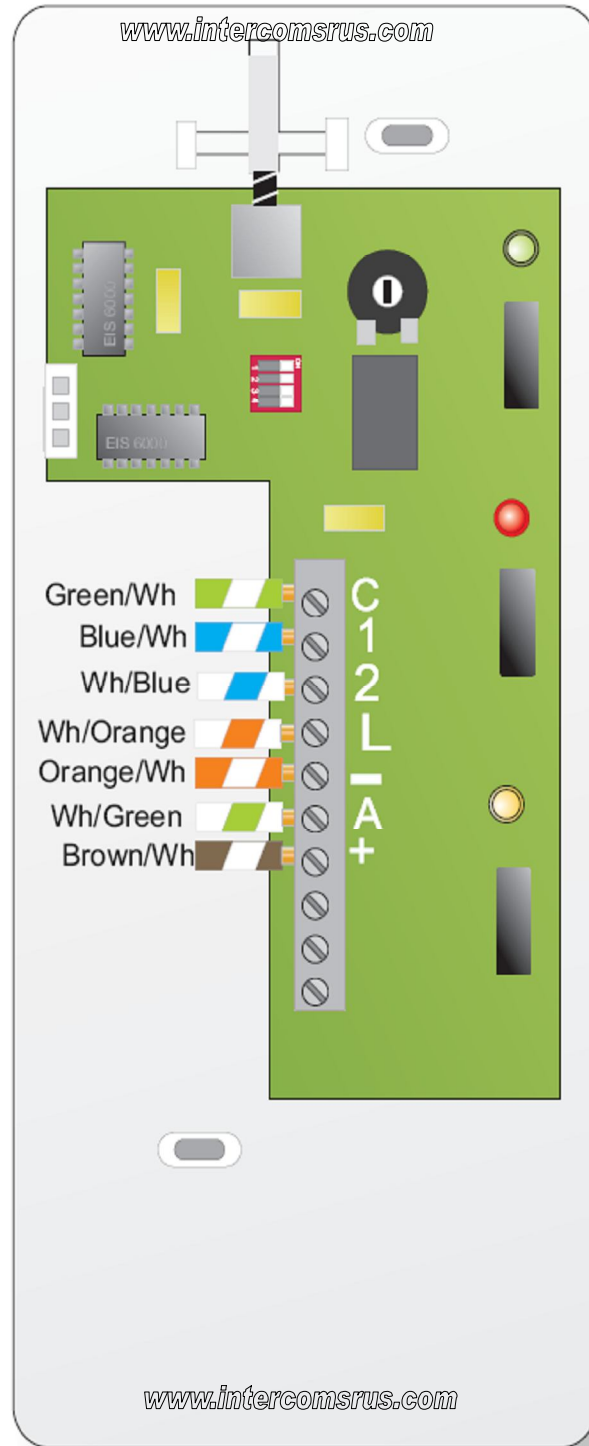
IMPORTANT NOTE :

- 1) Before replacing the handset make note of the wires to each terminal on the existing unit (an easy way is to cut each core off leaving a piece of the insulation in place with colour visible) twist unused cores together (so you know they are not used, do not short them out).
- 2) Some older systems will have cable with one coloured core and a solid white core in this case mark each core with a marker or tape.
- 3) Some systems may have loop on wiring, you will have 2 cables into your handset (make sure any joins remain, as these may be serving other flats on the system).

EIS 3407

Handset Connections

Green/White	C
Blue/White	1
White/Blue	2
White/Orange	L
Orange/White	-
White/Green	A
Brown White	+



P and R not used on Audio Systems

Switch setting chart

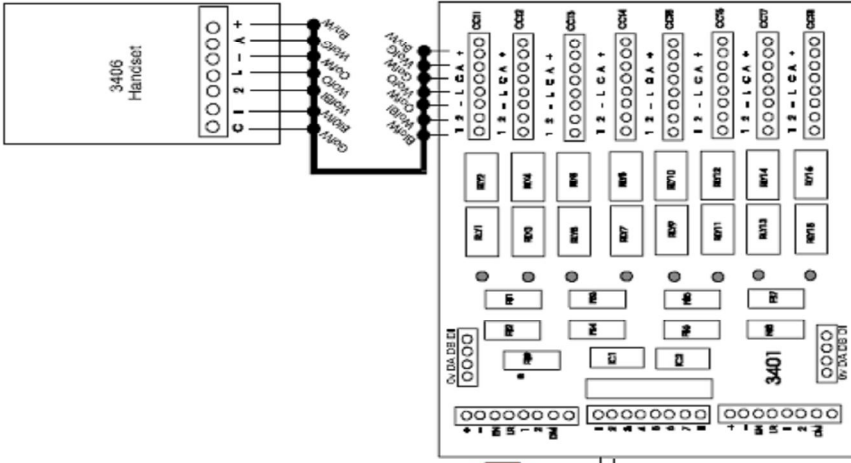
www.intercomsrus.com

	1	2	3	4											
DOOR	on	■	■	■	■	■	■	■	■	■	■	■			
	off	□	□	□	□	□	□	□	□	□	□	□			
		30sec	45sec	1min	1min 30 Sec	1min 45sec	2min	2min 30sec	2min 45sec						
		3 min	3min 30sec	4 min	4min 30sec	5 min	10 min	11min 40sec	13min 20sec						
	LOCK	on	■	■	■	■	■	■	■	■	■	■	■		
		off	□	□	□	□	□	□	□	□	□	□	□		
			1 sec	3 sec	5 sec	7sec	10sec	12sec	15sec	20sec					
			25sec	30sec	35sec	40sec	60sec	90sec	120sec	130sec					
		Alarm	on	■	■	■	■	■	■	■	■	■	■	■	
			off	□	□	□	□	□	□	□	□	□	□	□	
				10sec	20sec	30sec	60sec	1min 30sec	2min	2min 30sec	3min				
				4min	5min	10min	15min	16min 40sec	20min	30min	33min 20sec				

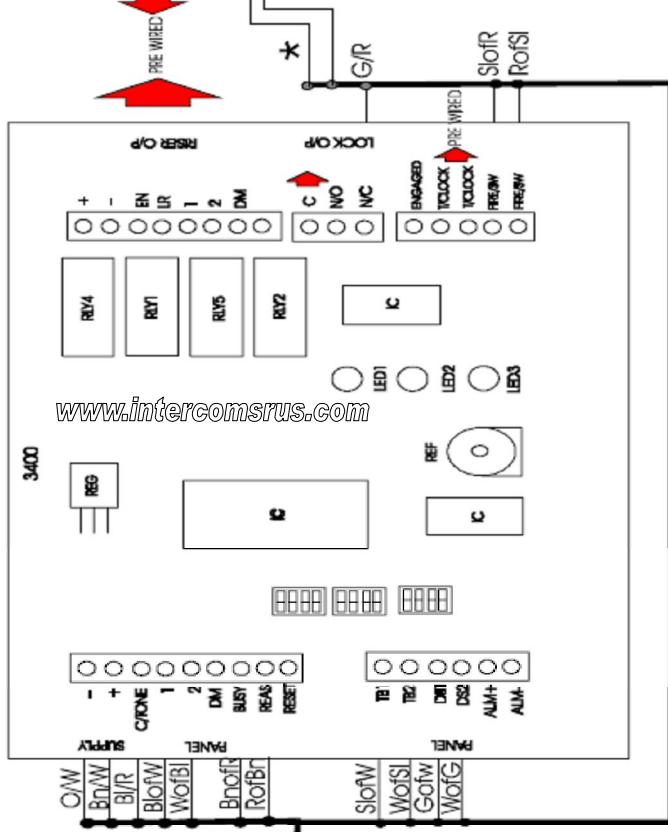
Switches shown in white.

3400 System wiring

www.intercomsrus.com

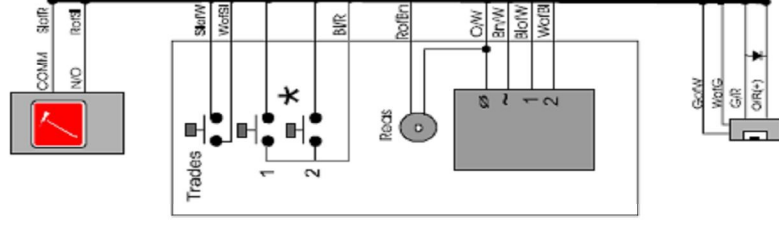


*Note: Flat call wires are connected using remaining wires from panel button to relevant isolator call connections. Terminal 1 calls output 1 and so on.



www.intercomsrus.com

www.intercomsrus.com



Note: connect O/R (lock +) to supply + on 3400 PCB

TITLE	3400 WIRING	Date	20/05/98
CLIENT			
CONTACT		REF	34MAN
		