

ENSIGN 3407



Terminals

C	+
1	P
2	R
L	
-	
A	

IMPORTANT NOTE :

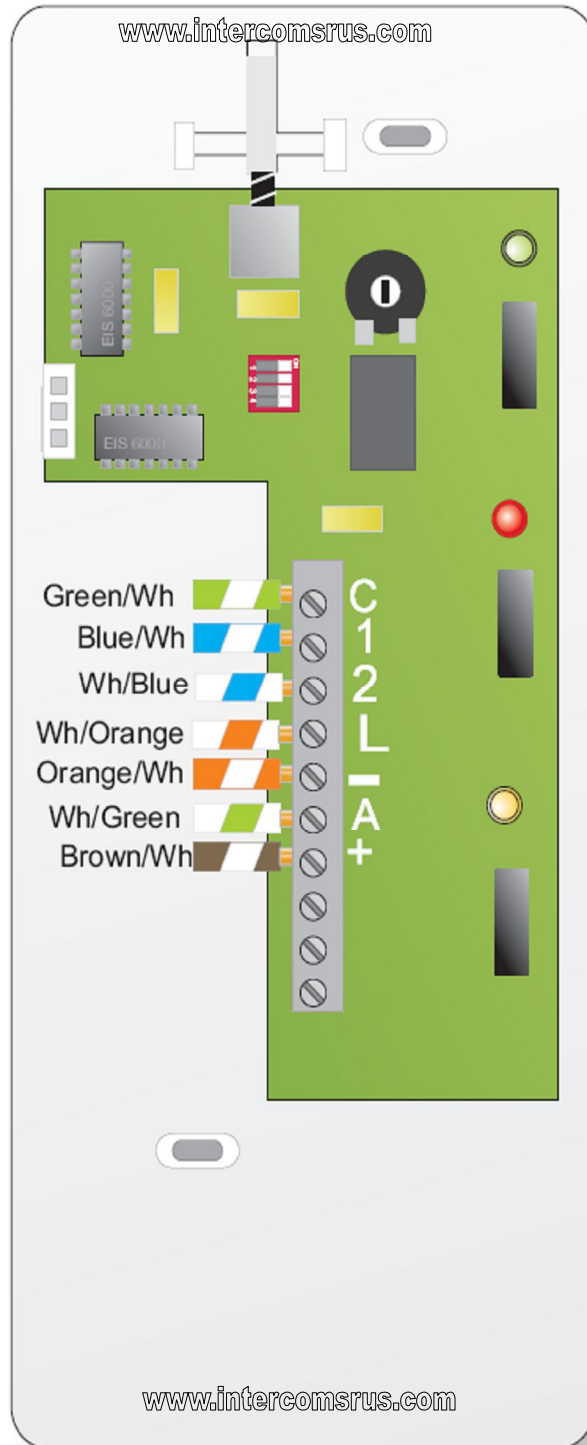
1) Before replacing the handset make note of the wires to each terminal on the existing unit (an easy way is to cut each core off leaving a piece of the insulation in place with colour visible) twist unused cores together (so you know they are not used, do not short them out).

2) Some older systems will have cable with one coloured core and a solid white core in this case mark each core with a marker or tape.

3) Some systems may have loop on wiring, you will have 2 cables into your handset (make sure any joins remain, as these may be serving other flats on the system).

EIS 3407 Handset Connections

Green/White	C
Blue/White	1
White/Blue	2
White/Orange	L
Orange/White	-
White/Green	A
Brown White	+



P and R not
used on Audio
Systems

Switch setting chart

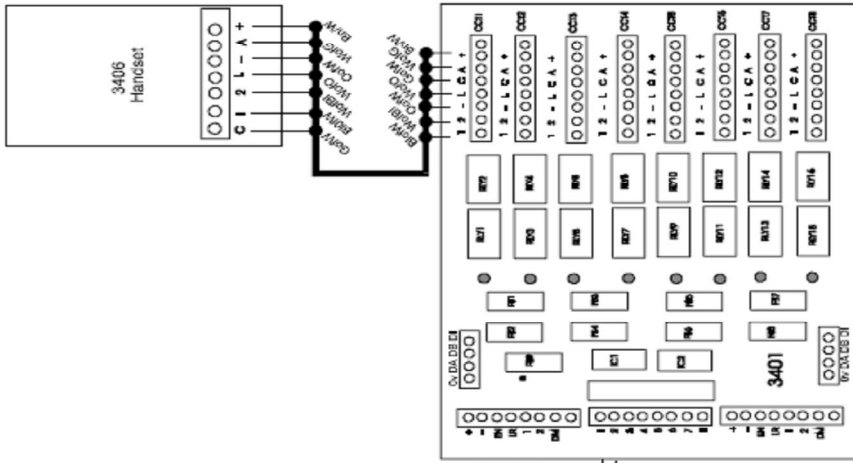
www.intercomsrus.com

	1	2	3	4							
DOOR	on	■	■	■	■						
	off	□	□	□	□						
		30sec	45sec	1min	1min 30 Sec	1min 45sec	2min	2min 30sec	2min 45sec		
		3 min	3min 30sec	4 min	4min 30sec	5 min	10 min	11min 40sec	13min 20sec		
	LOCK	on	■	■	■	■					
		off	□	□	□	□					
			1 sec	3 sec	5 sec	7sec	10sec	12sec	15sec	20sec	
			25sec	30sec	35sec	40sec	60sec	90sec	120sec	130sec	
		Alarm	on	■	■	■	■				
			off	□	□	□	□				
				10sec	20sec	30sec	60sec	1min 30sec	2min	2min 30sec	3min
				4min	5min	10min	15min	16min 40sec	20min	30min	33min 20sec

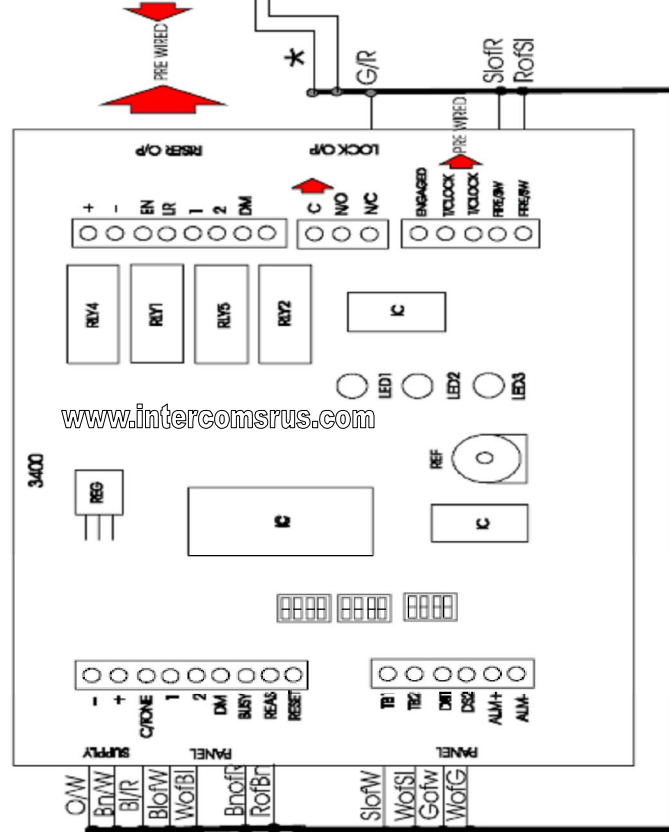
Switches shown in white.

3400 System wiring

www.intercomsrus.com

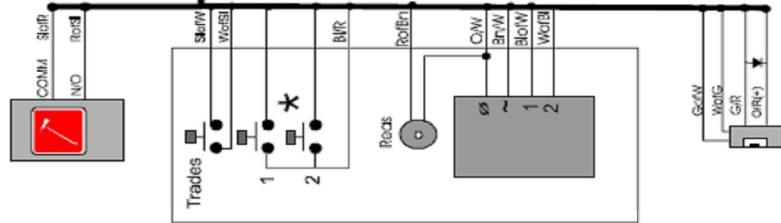


*Note: Flat call wires are connected using remaining wires from panel button to relevant isolator call connections. Terminal 1 calls output 1 and so on.



www.intercomsrus.com

www.intercomsrus.com



Note: connect O/R (lock +) to supply + on 3400 PCB

TITLE	3400 WIRING	Date	20/05/98
CLIENT			
CONTACT		REF	34MAN
		