

STR HT 2003/2W



Terminals

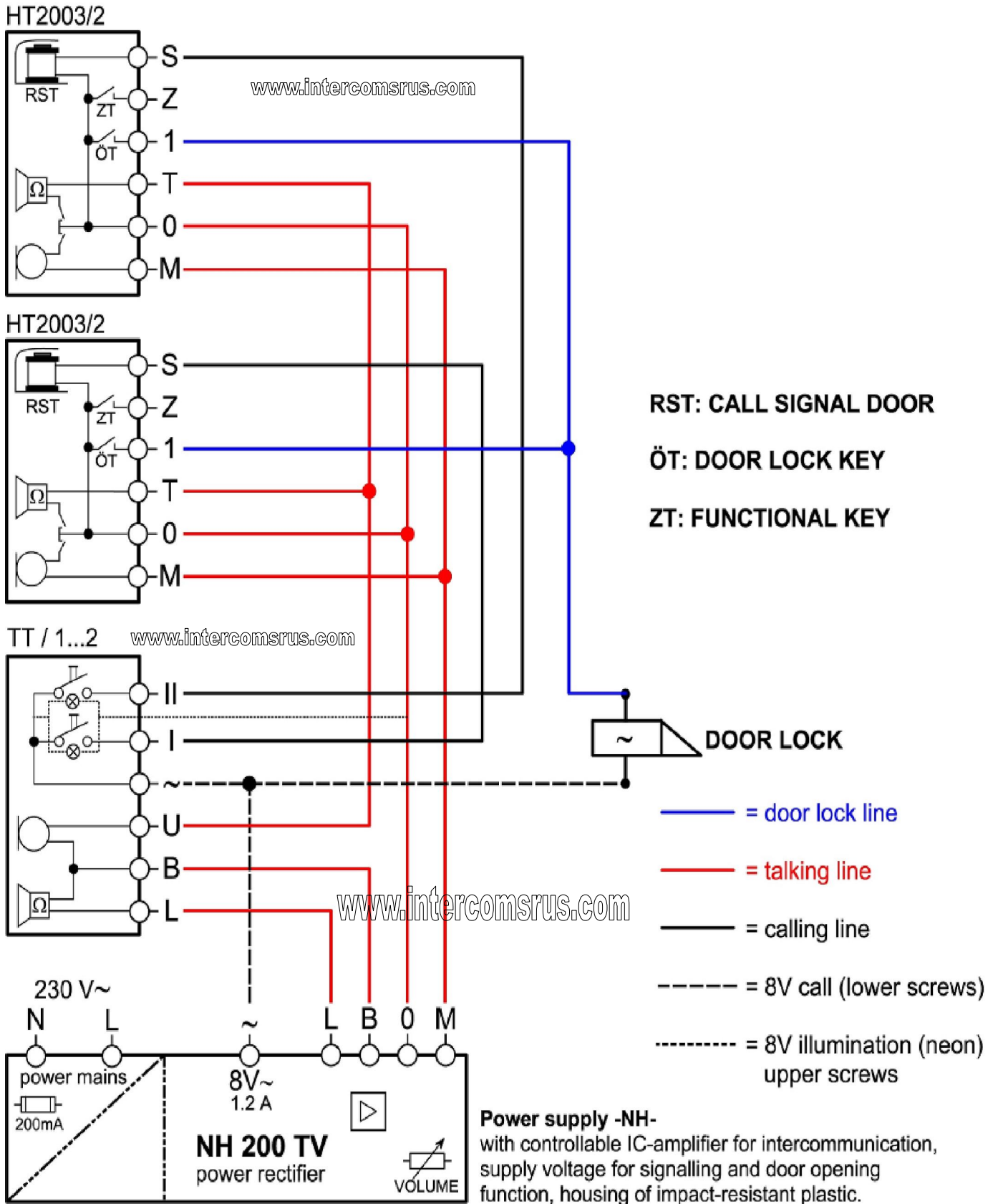
- 1** Lock
- M** Speech Out (Mic)
- O** Common
- T** Speech In (Speaker)
- S** Call

Discontinued, replaced with HT3003/2W

IMPORTANT NOTE :

- 1) Before replacing the handset make note of the wires to each terminal on the existing unit (an easy way is to cut each core off leaving a piece of the insulation in place with colour visible) twist unused cores together (so you know they are not used, do not short them out).
- 2) Some older systems will have cable with one coloured core and a solid white core in this case mark each core with a marker or tape.
- 3) Some systems may have loop on wiring, you will have 2 cables into your handset (make sure any joins remain, as these may be serving other flats on the system).

Wiring Diagram 1 Way



TROUBLESHOOTING

If the system fails to operate correctly after wiring, firstly go over the connections and ensure that all wires terminate to the correct places. If that is all ok, please work through the check list below :

SYSTEM DEAD

- 1) Check for mains power at the transformer.
- 2) Test 200mA fuse.
- 3) Check output of transformer (between 8V / 14V) terminal & 0)

NO CALL TO HANDSETS

- 1) Get someone to press the call button, check for voltage across “0” and “S” on the handset
 - A) If you get voltage 8vac –12vac indicates buzzer faulty, check clapper and coil for continuity
 - B) No voltage check call line, check common to call buttons or clean contacts at call button (you can short the call button terminals out to verify the button contacts)
 - C) Check 200mA Fuse

NO VOICE ON SYSTEM

- 1) Check volume control (potentiometer) on NH200TV amplifier (in both directions up & down) adjustment is clockwise to increase (ignore markings on PCB)
- 2) Check “T”, “O” and “M” to handsets
- 3) Check speaker / microphone and common connection at the door panel
- 4) Disconnect “T”, “O” and “M” on NH200TV and connect a single handset to those terminals
 - A) If voice works you have a panel and amplifier that operates (check wiring to handsets)
 - B) If NO voice amplifier / speaker or microphone may be faulty, you can check speaker coil on ohms range for continuity 16 ohms.
 - C) Check 200mA Fuse

NO DOOR RELEASE

- 1) Check door release connections
- 2) Check continuity of door release coil (ohms range)
- 3) Check wiring to handset terminals “1” and “0”
- 4) Remove “1” and touch to “0” at handset (door strike should operate) if it does not open you have a cabling issue

HUM OR BUZZ

- 1) As the system is low voltage all cables need to be segregated from mains cables, if you experience hum or buzz it would suggest that there is interference from cables too close to power wiring, transformers or control equipment

SQUEALING OR HOWLING (LARSEN EFFECT)

- 1) Volume at NH200TV is set too high
- 2) Check for loose / broken speaker / microphone connections at front panel.

NO SPEECH TO DOOR STATION

- 1) Check continuity of speaker coil at front door station (16 ohms between “L” & “B” with amp disconnected)
- 2) Check “M” terminal going from handset to NH200TV for continuity & shorts etc

NO SOUND FROM DOOR STATION TO HANDSET

- 1) Check speaker in handset for continuity / wire off (can happen when receiver is bounced)
- 2) Check “T” going from handset to terminal “U” on the door station for continuity & shorts etc.
- 3) Check microphone function at panel (test with a local handset connected to NH200TV)

2 Entrance System Wiring

