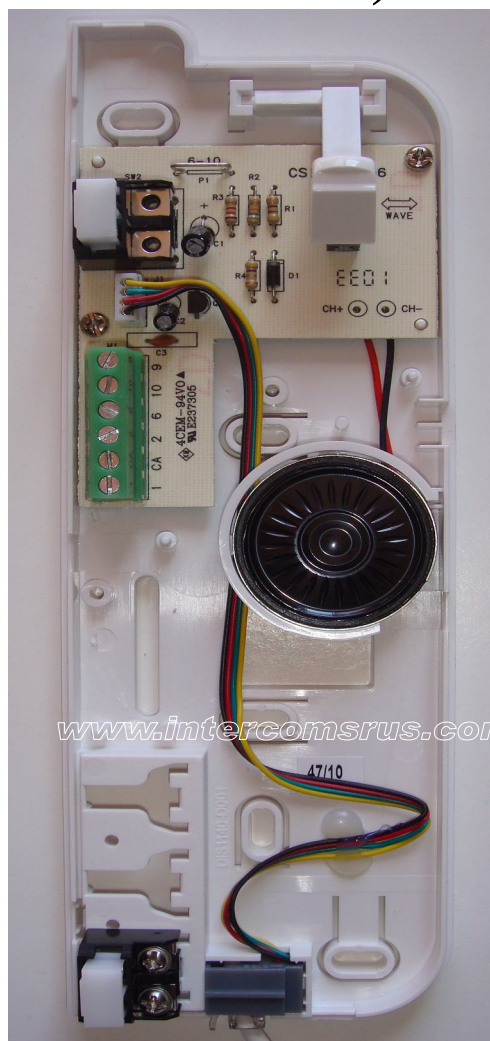


# Urmet 1140/1 Signo (Electronic Call)



## Terminals

9	Lock
10	
6	Common
2	Speech Out (Mic)
CA	Call
1	Speech In (Speaker)

### IMPORTANT NOTE :

1) Before replacing the handset make note of the wires to each terminal on the existing unit (an easy way is to cut each core off leaving a piece of the insulation in place with colour visible) twist unused cores together (so you know they are not used, do not short them out).

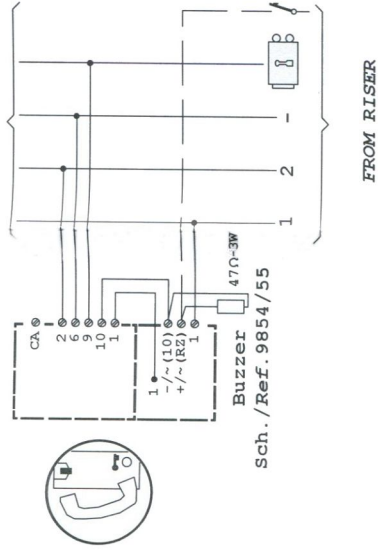
2) Some older systems will have cable with one coloured core and a solid white core in this case mark each core with a marker or tape.

3) Some systems may have loop on wiring, you will have 2 cables into your handset (make sure any joins remain, as these may be serving other flats on the system).

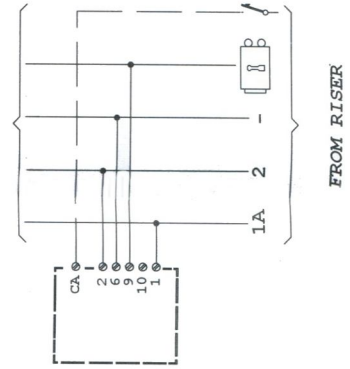
# FITTING DETAILS

www.intercomsrus.com

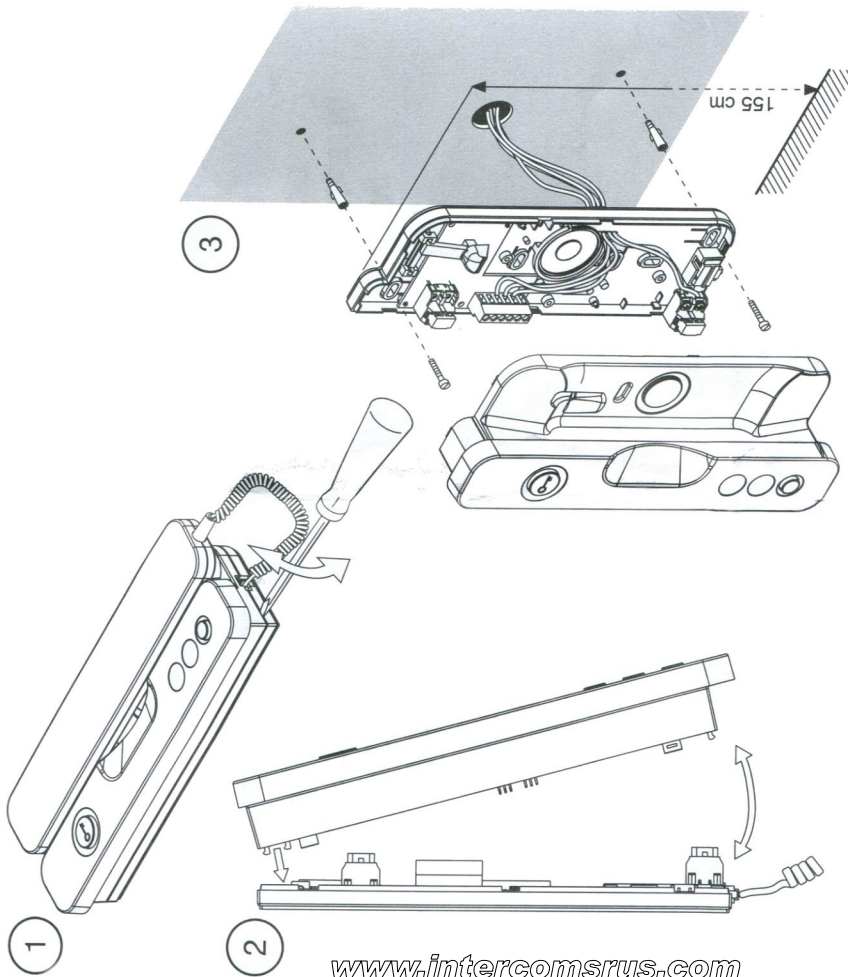
## TRADITIONAL CALL SYSTEM



## ELECTRONIC CALL SYSTEM



www.intercomsrus.com



www.intercomsrus.com

### Elenco ricambi e accessori:

- Sch. 1140/50 Supporto tavolo
- Sch. 1140/56 Kit tasto mute + led
- Sch. 1140/53 Kit regolazione volume di chiamata
- Sch. 1140/55 Confezione 8 tasti aggiuntivi

### List of spare parts and accessories:

- Ref. 1140/50 Table top support
- Ref. 1140/56 Mute button + LED kit
- Ref. 1140/53 Adjustable call volume kit
- Ref. 1140/55 Set of 8 additional buttons

### Liste des pièces détachées et des accessoires:

- Réf. 1140/50 Support de table
- Réf. 1140/56 Kit touche Mute + diode
- Réf. 1140/53 Kit de réglage du volume d'appel
- Réf. 1140/55 Jeu de 8 touches supplémentaires

### Lista de repuestos y accesorios:

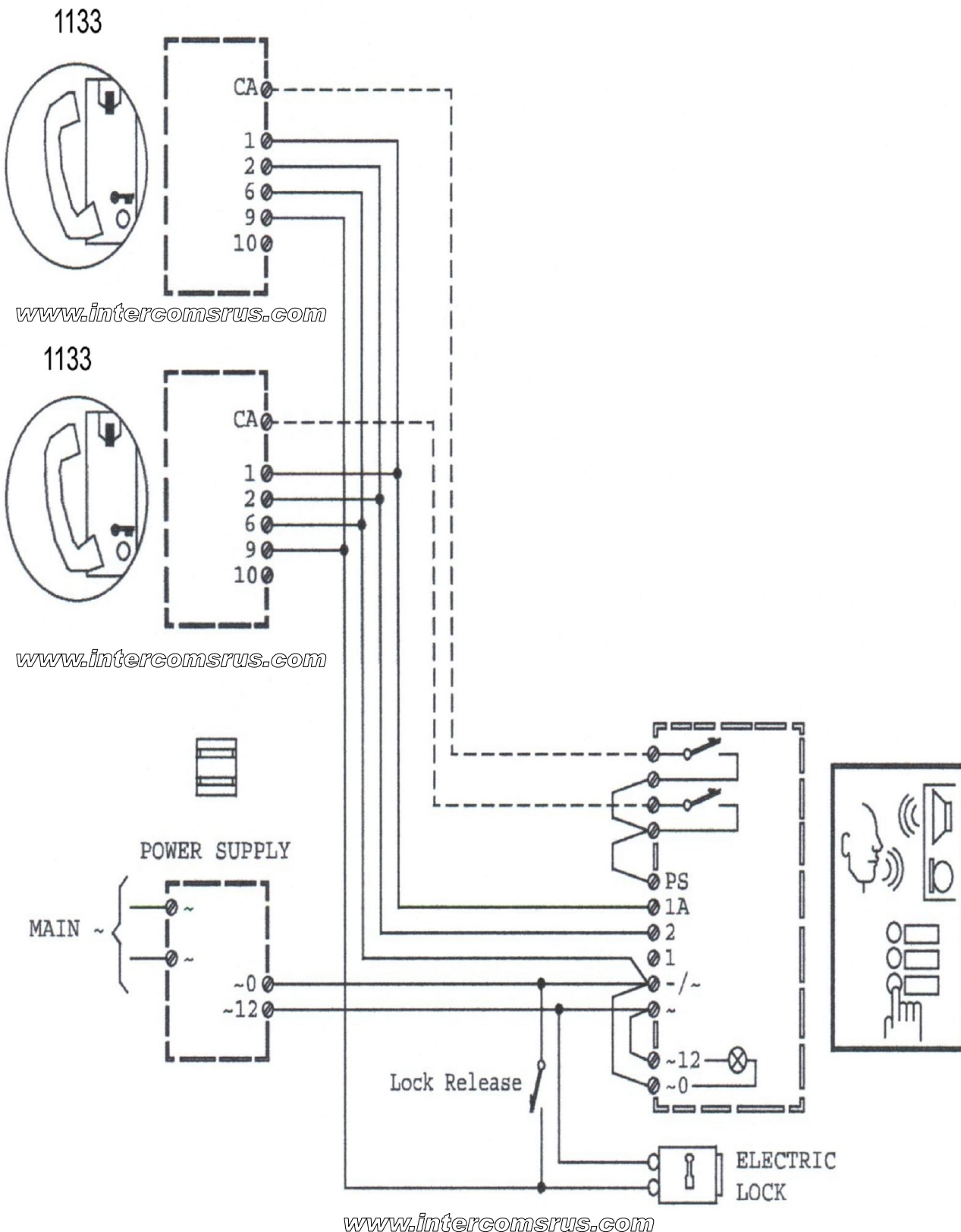
- Ref. 1140/50 Soporte de sobremesa
- Ref. 1140/56 Kit tecla de desconexión del micrófono (mute) + led
- Ref. 1140/53 Kit de regulación del volumen de llamada
- Ref. 1140/55 Paquete de 8 pulsadores adicionales

### Liste der Ersatz- und Zubehörtteile:

- Karte 1140/50 Tischaufklage
- Karte 1140/56 Kit Mute-Taste + Led
- Karte 1140/53 Set zum Einstellen der Ruflautstärke
- Karte 1140/55 Packung mit 8 Zusatztasten

# WIRING DIAGRAM

## Urmet 1133 & 1140 Basic 1 Way System



# WIRING DIAGRAM

## Urmet 1133 & 1140 2 Entrance System

