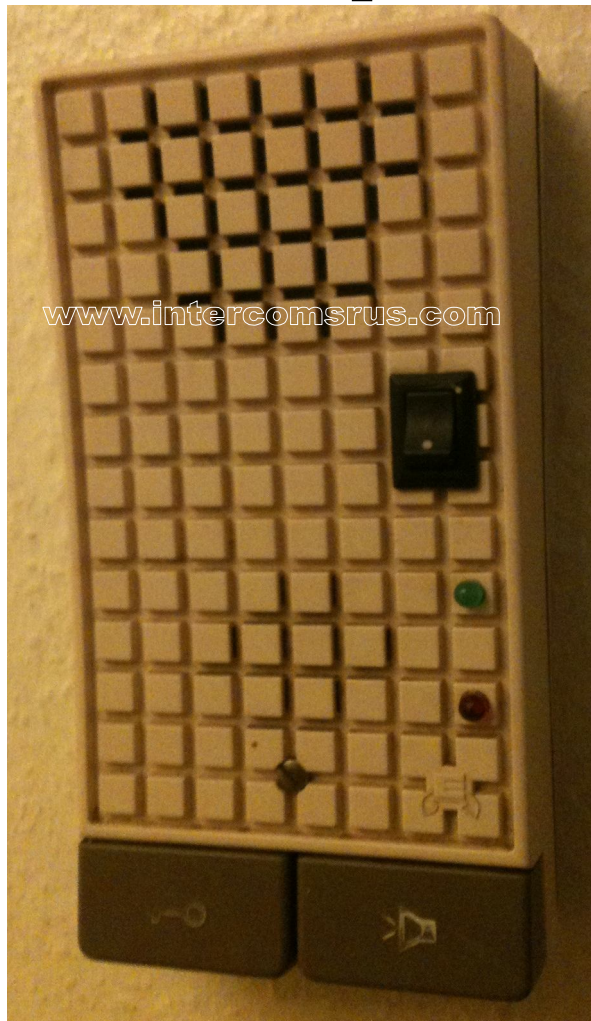


# URMET Super Jolly



## Terminals

AP	Door Release
RZ	Landing Call
CA	Panel Call
6	(Common)
5	Speaker
7	Mic
8	Mic

### **IMPORTANT NOTE :**

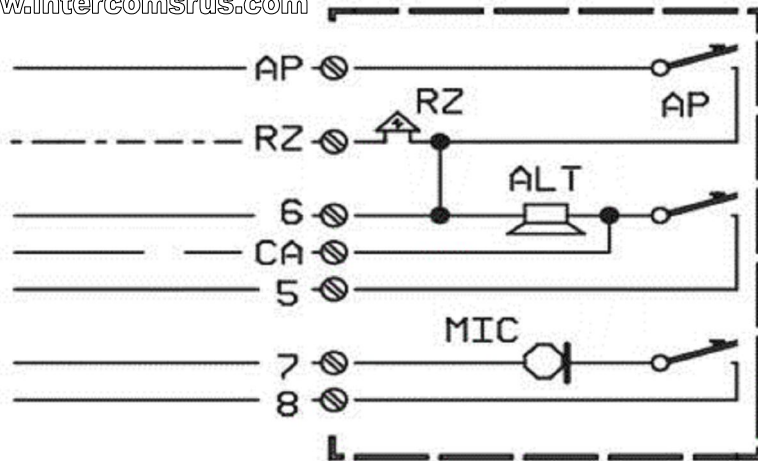
- 1) Before replacing the handset make note of the wires to each terminal on the existing unit (an easy way is to cut each core off leaving a piece of the insulation in place with colour visible) twist unused cores together (so you know they are not used, do not short them out).
- 2) Some older systems will have cable with one coloured core and a solid white core in this case mark each core with a marker or tape.
- 3) Some systems may have loop on wiring, you will have 2 cables into your handset (make sure any joins remain, as these may be serving other flats on the system).

# WIRING DIAGRAM

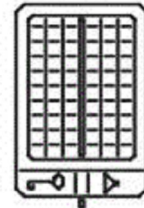
## URMET 4340/23 SUPER JOLLY

Sch. / Ref. 4340/23

www.intercomsrus.com

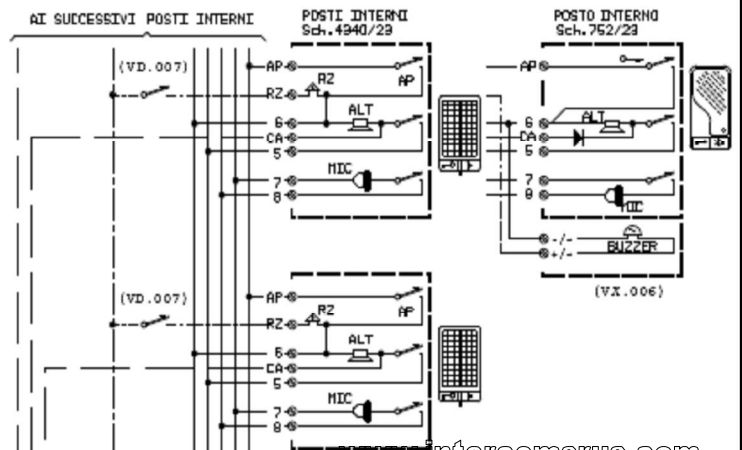


www.intercomsrus.com

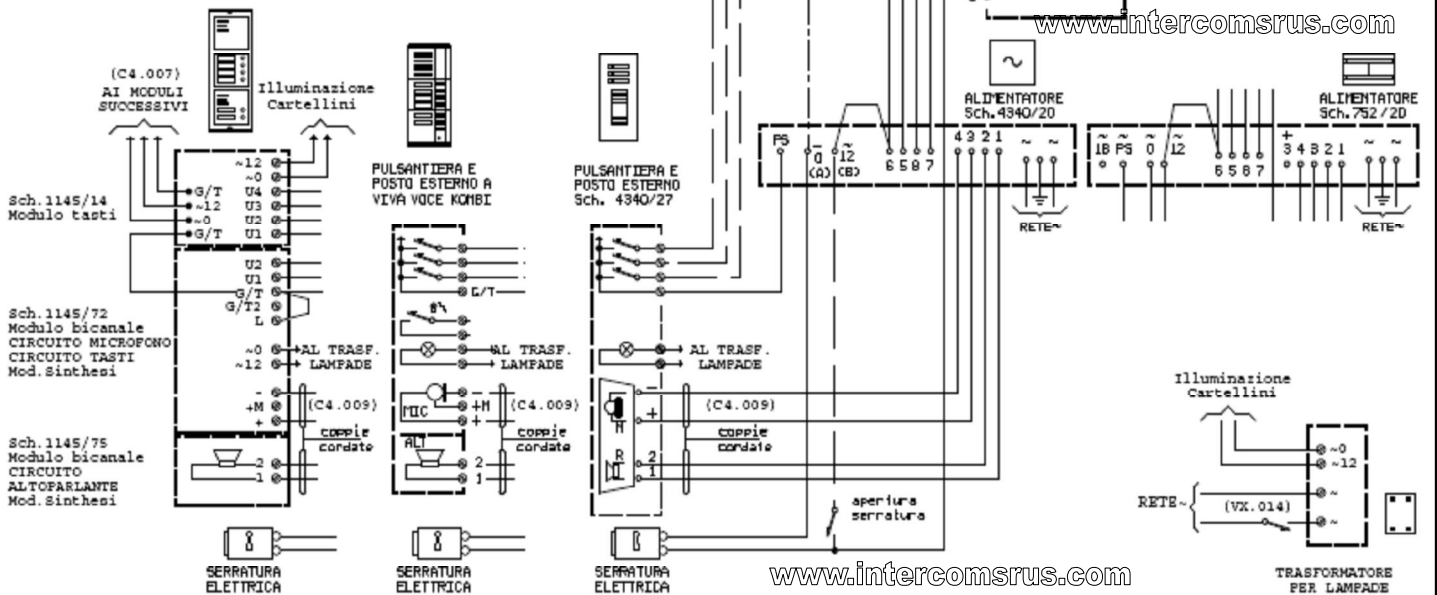


www.intercomsrus.com

www.intercomsrus.com



www.intercomsrus.com



www.intercomsrus.com

TRASFORMATORE PER LAMPADE

# ENGLISH

## POWER SUPPLIES

### INSTRUCTIONS FOR INSTALLER

Read carefully the following instructions as they provide important directions for safety of installation, use and maintenance.

This set must be used only for that is had been decided, that is to feed house phone and videorecord systems.

It has been designed in compliance with CEI rules 12/13 V Dec 1988.

Any other use must be considered inappropriate and, therefore, dangerous.

The constructor can not be considered liable for casual damages due to inappropriate, wrong and irrational use.

The installation should be complied with existing CEI rules.

At the system sets must be used only for that they have been devised.

After unpacking, verify any possible damage.

The packing (i.e. plastic bags, foam polystyrene, etc.) must be kept away from children because it is potentially dangerous.

Before connecting the set install an appropriate separation and protection switch.

Before connecting the set verify that the data label correspond to the mains ones.

Do not obstruct the openings or fissures for ventilation or heat elimination.

Before any cleaning or maintenance operation, disconnect the set by means of the system switch.

In case of failure and/or malfunctioning of the set disconnect it by means of the general switch and do not damage it.

To repair the set contact Umet after sales-services.

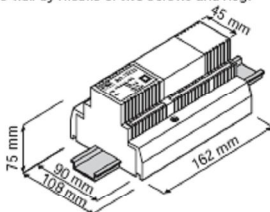
If the above mentioned prescriptions are not followed, the set safely can be compromised.

The installer must verify that the notice for user are present on the slave sets.

This document must be always attached to the power supply.

- Outwards amplifier (input terminals 7-8, output terminals 1-2).

The power supply can be mounted on drawn bars according to DIN 46277 specifications, or fixed to the wall by means of two screws and no.



The length of 162mm corresponds to 9 modules of 18mm each, in accordance with DIN 43880 specifications.

## ACCESSORIES

In the apartment station base it is possible to install the 12Vac buzzer for additional calls Ref. 9854/52.

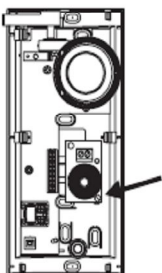
This device must be bought apart and mounted by the installer.

### ELECTRONIC BUZZER

The buzzer Ref. 9854/52 can be used for an additional call.

To mount the buzzer inside the indoor set proceed as follows:

- Screw the buzzer to the base, by using a screw 2,9 x 6,5 (see figure).
- Connect the system wires to the two terminals.



## SYSTEM FEATURES

The duplex system facilities are:

- (Electronic) call from the outside push button panel to the indoor set.
- Conversation from outdoor station to indoor station and vice versa.
- Electric lock opening from the indoor set

The following installations are only possible:

- Connection to 1 outdoor station.
- Connection to 2 outdoor stations with automatic switching.

In the connection diagram for an entrance panel, is also planned the conversation privacy function.

The phone yield of the new system is higher one, since a duplex telephone wiring with electronic balancing has been used (during conversation, the balance lightens one of the two channels, acting on the other one. In this way, it is possible to avoid the "Larsen" effect).

The transmission and reception levels are calibrated on optimum values during production. The installer can only adjust amplification towards the outside by acting on the potentiometer mounted in the loudspeaker module.

Amplification towards the indoor set is not adjustable.

The indoor sets Ref. 752/23 are compatible and interchangeable with the previous indoor sets Ref. 752/23, Ref. 752/231 and Ref. 4340/23, the same for the power supply.

Duo duplex system is made of the following equipments:

• Indoor set Ref. 752/23: with 1 conversation key, 1 door opening key and 1 button for auxiliary services.

• Power supply Ref. 752/20 for bar mounting or wall mounting. Power supply 110-230V, 28VA.

• Outdoor set Sintesi version only:

• Ref. 1145/75: loudspeaker module.

• Ref. 1145/70: microphone module.

• Ref. 1145/71: microphone module with 1 key.

• Ref. 1145/72: microphone module with 2 keys.

• Accessories

• The following accessories are available:

• Ref. 752/60: embedding box for indoor set.

• Ref. 9854/52: additional electronic buzzer.

• Ref. 788/52: call repeater relay.

• Ref. 752/5: secrecy device.

• Ref. 5330/60: secrecy switch-off device for push button panel.

### CALL REPEATER RELAY

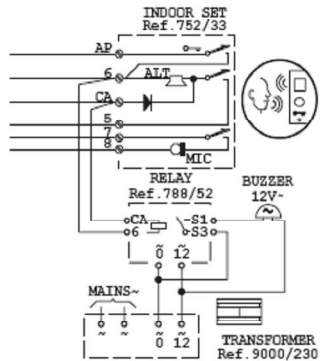
As previously described, the call coming from the outside push button panel towards the indoor sets takes place directly on the loudspeaker with a binaural sound supplied by the power supply.

When the call has to be sent also to additional ringers or buzzers, it is necessary to use the call repeater Ref. 788/52 to be parallel connected to the indoor set loudspeaker.

For its connection, proceed as follows:

- Connect terminals 6 and CA to the indoor set corresponding terminals.

Feed the call repeater relay by means of a 12 Vac transformer, the voltage of which can provide the additional ringer.



### DUPLEX OUTDOOR SET

The outdoor set of the system is exclusively made of two (separate) modules of the Sintesi

The hands-free apartment station is composed as follows:

Loudspeaker module: Ref. 1145/75

Microphone module: Ref. 1145/70 without buttons

Ref. 1145/71 with 1 key

Ref. 1145/72 with 2 keys

In order to avoid Larsen ("whistle") effect the two modules shall not be mounted one near the other, but they have to be kept separate by a button or repertory module.

Transmission and reception levels are calibrated, during production, on optimum values. It is possible to adjust the outwards, amplification by acting on the potentiometer inserted in the loudspeaker module.

### DUPLEX INDOOR SET

"Duo" duplex indoor set Mod. 752 utilizes, as transmitting capsule, an electret microphone that guarantees a more constant and linear transmission.

It is arranged to receive the call directly on the loudspeaker with a bi-tonal sound supplied by the power supply

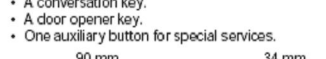
Duo indoor set is foreseen for two way of installation:

- Surface mounting version.
- Flush mounting version.

All connections to the line are made after duo base has been fixed to the wall, thus simplifying all operations.

The device is equipped with 3 buttons:

- A conversation key.
- A door opener key.
- One auxiliary button for special services.



Surface mounting version

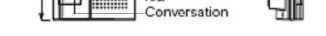
To fix the apartment station to the wall, use two screw anchors, that must match with the two slots placed on the base.

The base central zone is used for wires entry.



Flush mounting version

To fix the apartment station to the wall, use two screw anchors, that must match with the two slots placed on the base.



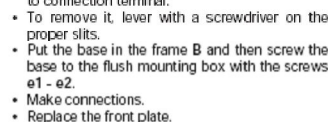
Do not change the position of the two trimmers placed on the terminal block.

### FLUSH MOUNTING VERSION

For this installation type, use the flush mounting box with Ref. 752/60 frame.

The operations to be performed are the following:

- Ember box A. Plaster should be levelled or stuck out the edge of the box 1cm max.
- Remove the indoor set front plate to have access to connection terminal.
- To remove it, lever with a screwdriver on the proper slots.
- Put the base in the frame B and then screw the base to the flush mounting box with the screws e1 - e2.
- Make connections.
- Replace the front plate.



Do not change the position of the two trimmers placed on the terminal block.

Power supply

The power supply Ref. 752/20 is made of:

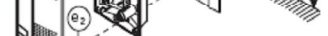
- 28VA transformer.
- Primary 110 - 230Vac.
- Secondary 12V-, 1A (supply for door opener and buzzer - terminals -0, -12).
- Secondary 18V-, 0,2A (terminals -0, -18).
- Secondary 15Vdc. 300mA (connected internally - supply for amplifying circuits).
- Output for binaural call on loudspeaker with F1= 1200Hz, F2= 1800Hz with sweep rate 10 - 20Hz.
- Inwards amplifier (input terminals 3-4, output terminals 5-6).



Interchangeability with the previous systems

The inwards amplification cannot be adjusted. The potentiometer inserted in the microphone module acts on the inwards transmission level. Only when it is used as spare parts in the previous "Superjolly" system the terminal + shall be connected instead of +M.

For a correct installation, please refer to the booklets provided with the single products.



Interchangeability with the previous systems

The inwards amplification cannot be adjusted. The potentiometer inserted in the microphone module acts on the inwards transmission level. Only when it is used as spare parts in the previous "Superjolly" system the terminal + shall be connected instead of +M.

For a correct installation, please refer to the booklets provided with the single products.



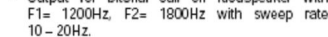
Door unit

The Sintesi door units are electrically compatible with Kombi door unit modules and with Ref. 4340/27 door units for Mod. 625 panels.

The frames and holders for fastening to the flush-mounting box must be replaced to fit replacements in Kombi modules.

The flush-mounting box must also be replaced for panels with Ref. 4340/27 door units.

The correspondence between terminals of the various modules is shown in diagram SC101-0211.



Power supply Ref. 752/20

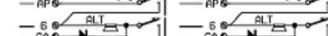
It is interchangeable with the previous model Ref. 4340/20. On the contrary, it is not interchangeable with the Jolly type Ref. 4330/20. In this case it is necessary to replace also the outdoor station.



Power supply Ref. 4340/20

To replace the power supply Ref. 4340/20 by the duo power supply Ref. 752/20 connect wires to the same terminals.

Only take care to connect the relevant wire to terminal 3 and not to terminal +3 (to be used in duo systems Mod. 752).



## INTERCHANGEABILITY WITH THE PREVIOUS SYSTEMS

### INDOOR SET

Duo indoor set Duo is interchangeable with the previous models Ref. 752/23, 752/231, Jolly and Superjolly 1st series with carbon transmitting capsule, and Superjolly 2nd series.

It is not interchangeable with jolly model with loudspeaker instead of carbon capsule.

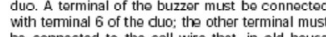
The fact that the Duo is not equipped with a buzzer but only pre-engineered to receive the external call directly on the loudspeaker by means of a two-tone signal provided by the power supply is very important.

In the case of replacement of the Jolly and in Superjolly 1st series systems where the call is sent to the buzzer (terminal RZ), the electronic buzzer Ref. 9854/52 must be inserted inside the duo.

A terminal of the buzzer must be connected with terminal 6 of the duo; the other terminal must be connected to the call wire that, in old house phones, was connected to the RZ terminal.

In the case of replacement of Superjolly 2nd series, the buzzer is not required as the call wire in both systems is sent to terminal CA.

SC101-0211B



Power supply Ref. 4340/20

To replace the power supply Ref. 4340/20 by the duo power supply Ref. 752/20 connect wires to the same terminals.

Only take care to connect the relevant wire to terminal 3 and not to terminal +3 (to be used in duo systems Mod. 752).

