

Videx 524



Terminals

- 1 Speech Out (Mic)
- 2 Speech In (Speaker)
- 4 Electronic Call
- 5 Lock
- 6 AC Call
- 3,7 Common

IMPORTANT NOTE :

1) Before replacing the handset make note of the wires to each terminal on the existing unit (an easy way is to cut each core off leaving a piece of the insulation in place with colour visible) twist unused cores together (so you know they are not used, do not short them out).

2) Some older systems will have cable with one coloured core and a solid white core in this case mark each core with a marker or tape.

3) Some systems may have loop on wiring, you will have 2 cables into your handset (make sure any joins remain, as these may be serving other flats on the system).

Wiring Diagram 524 2 Way 837 Amp

CITOFONI CON POSTO ESTERNO (4 + 1)

INTERCOMS WITH REMOTE OUTDOOR STATION (4 + 1)

PARLOPHONES AVEC POSTE DE RUE
(4 + 1, n° 4 conducteurs communs + n° 1 conducteur appel)

SPRECHANLAGE MIT EINER AUßENSTELLE (4 + 1)

PORTERO ELECTRONICO CON AMPLIFICADOR (4 + 1)

NOTE

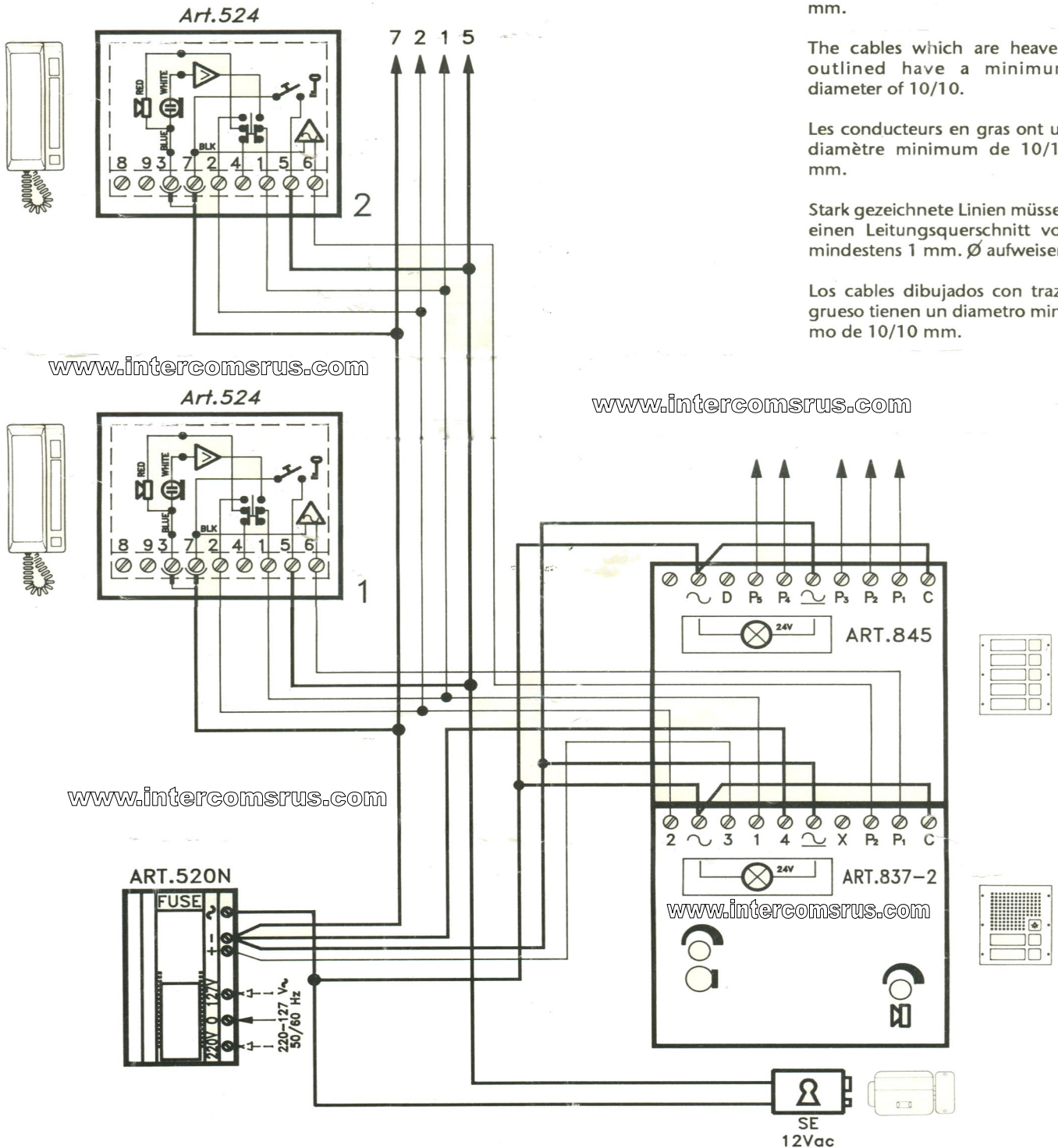
I conduttori in grassetto hanno un diametro minimo di 10/10 mm.

The cables which are heavily outlined have a minimum diameter of 10/10.

Les conducteurs en gras ont un diamètre minimum de 10/10 mm.

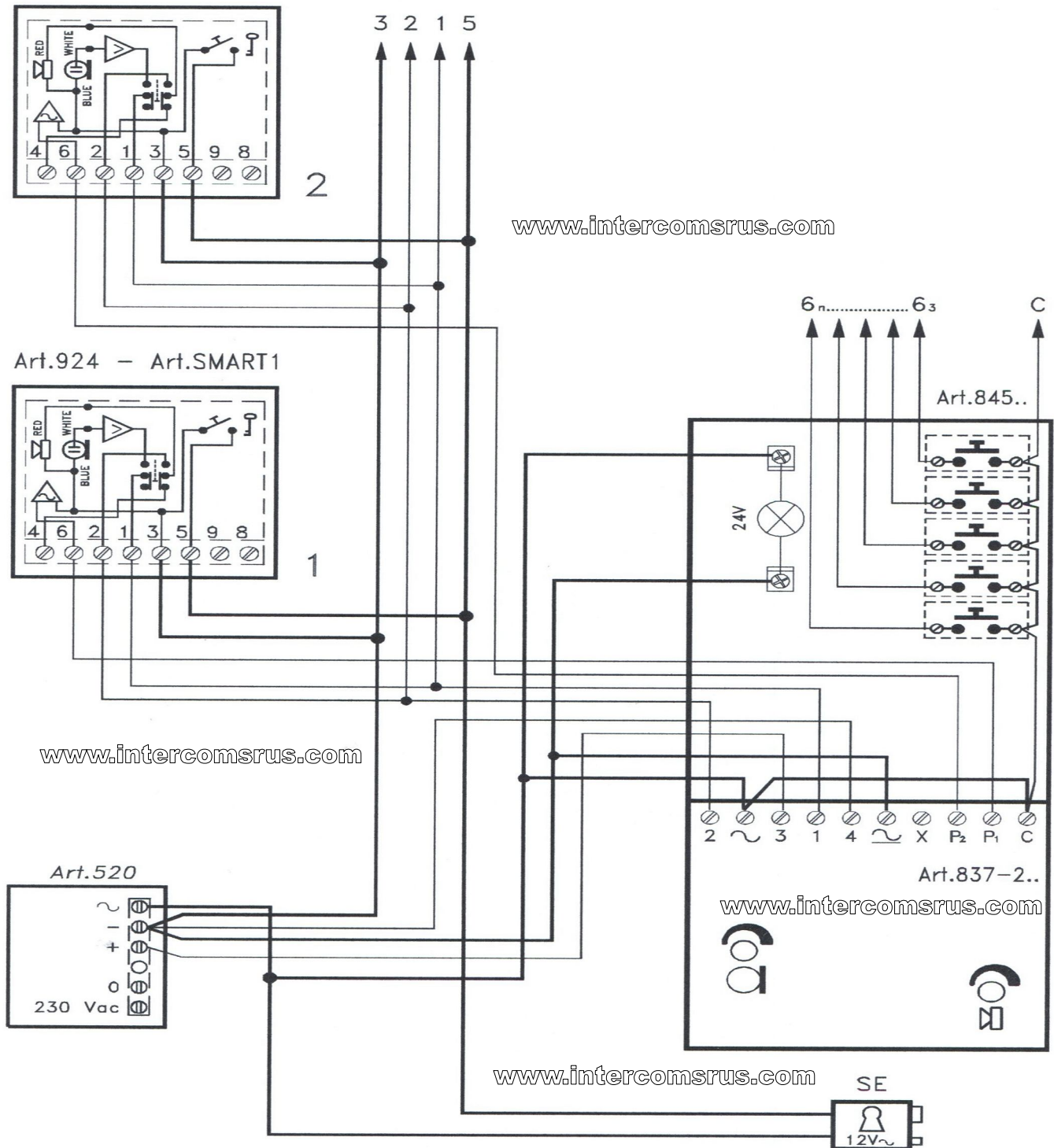
Stark gezeichnete Linien müssen einen Leitungsquerschnitt von mindestens 1 mm. Ø aufweisen.

Los cables dibujados con trazo grueso tienen un diametro minimo de 10/10 mm.



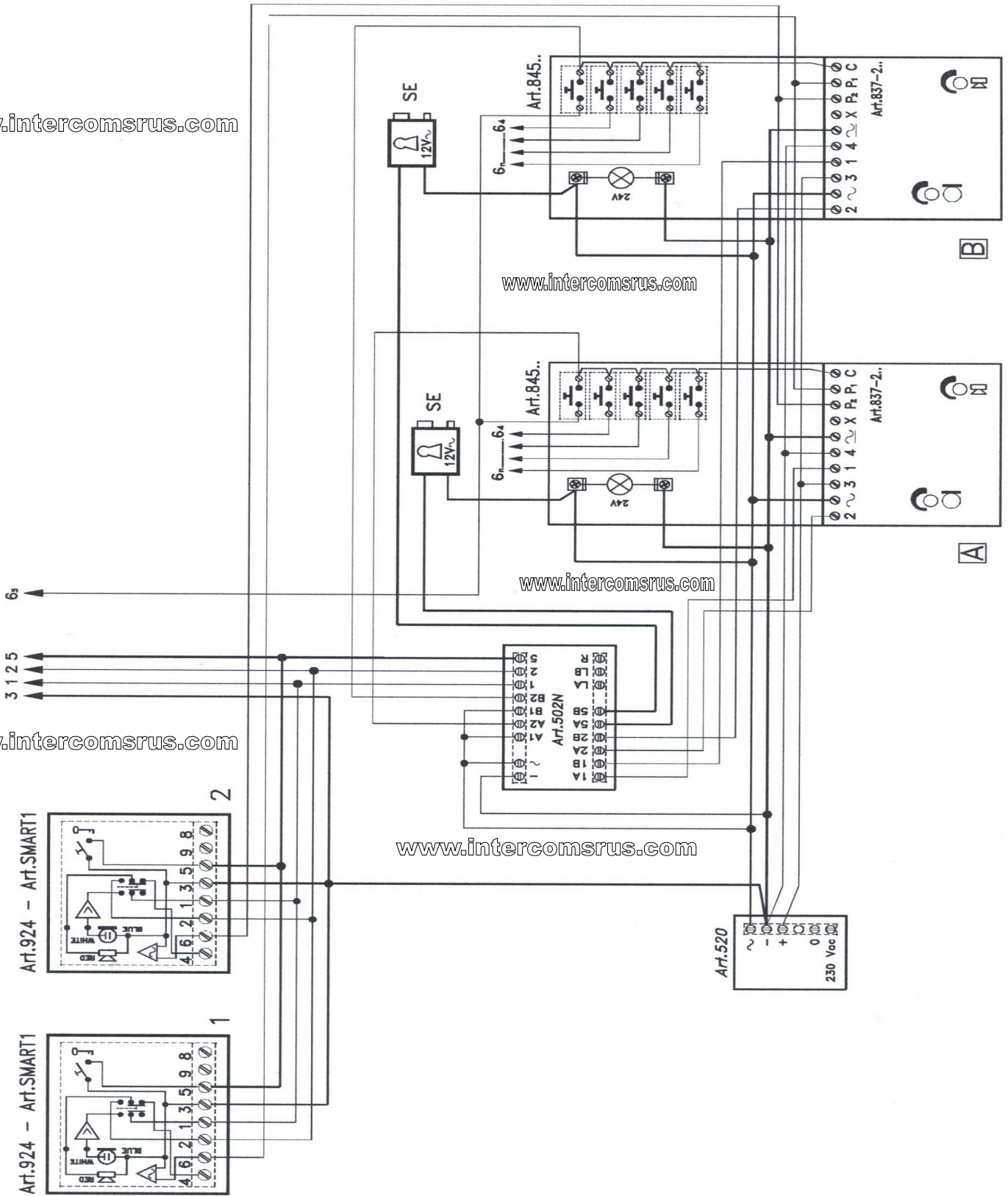
Wiring Diagram 1 Way 837 Amp

Art.924 - Art.SMART1



Wiring Diagram 2 Way 837amp

www.intercomsrus.com



www.intercomsrus.com

www.intercomsrus.com

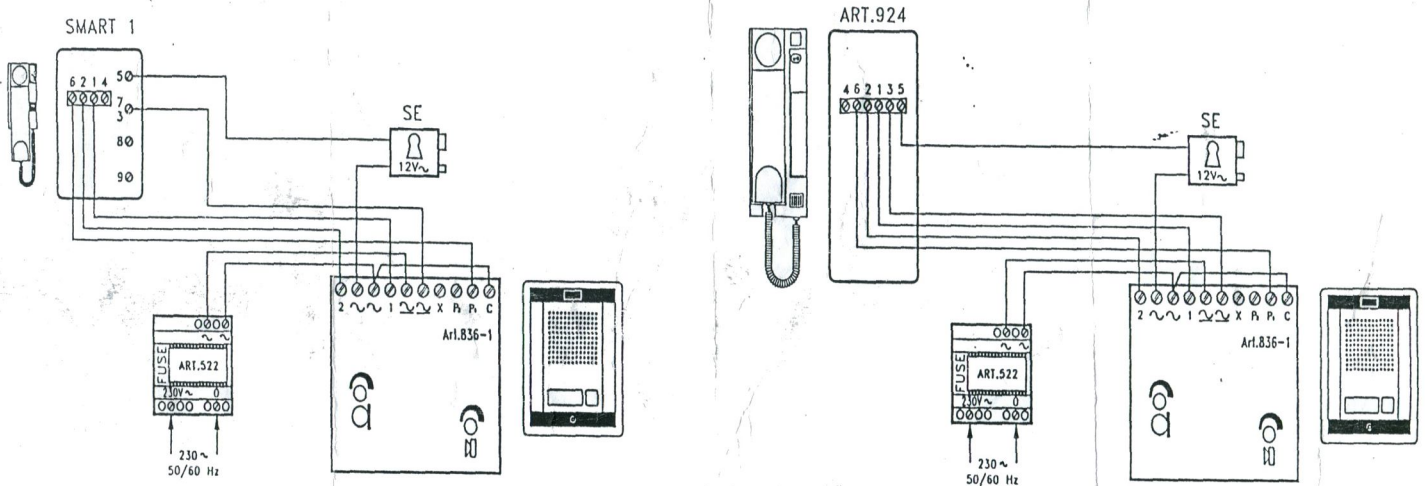
www.intercomsrus.com

www.intercomsrus.com

Art.520
~ - + 0
230 Vac

Wiring Diagram 2 Way 836amp

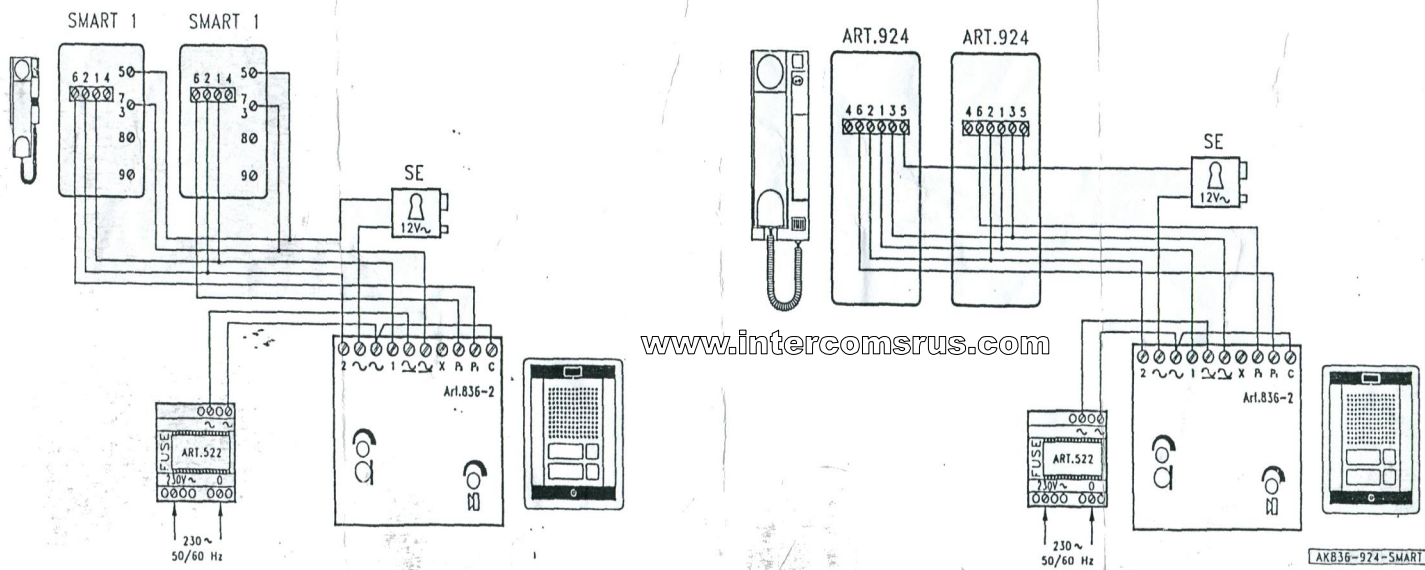
Art.836-1 APPLICATION DIAGRAM



www.intercomsrus.com

www.intercomsrus.com

Art.836-2 APPLICATION DIAGRAM



www.intercomsrus.com

AKB36-924-SMART